

8

7

6

5

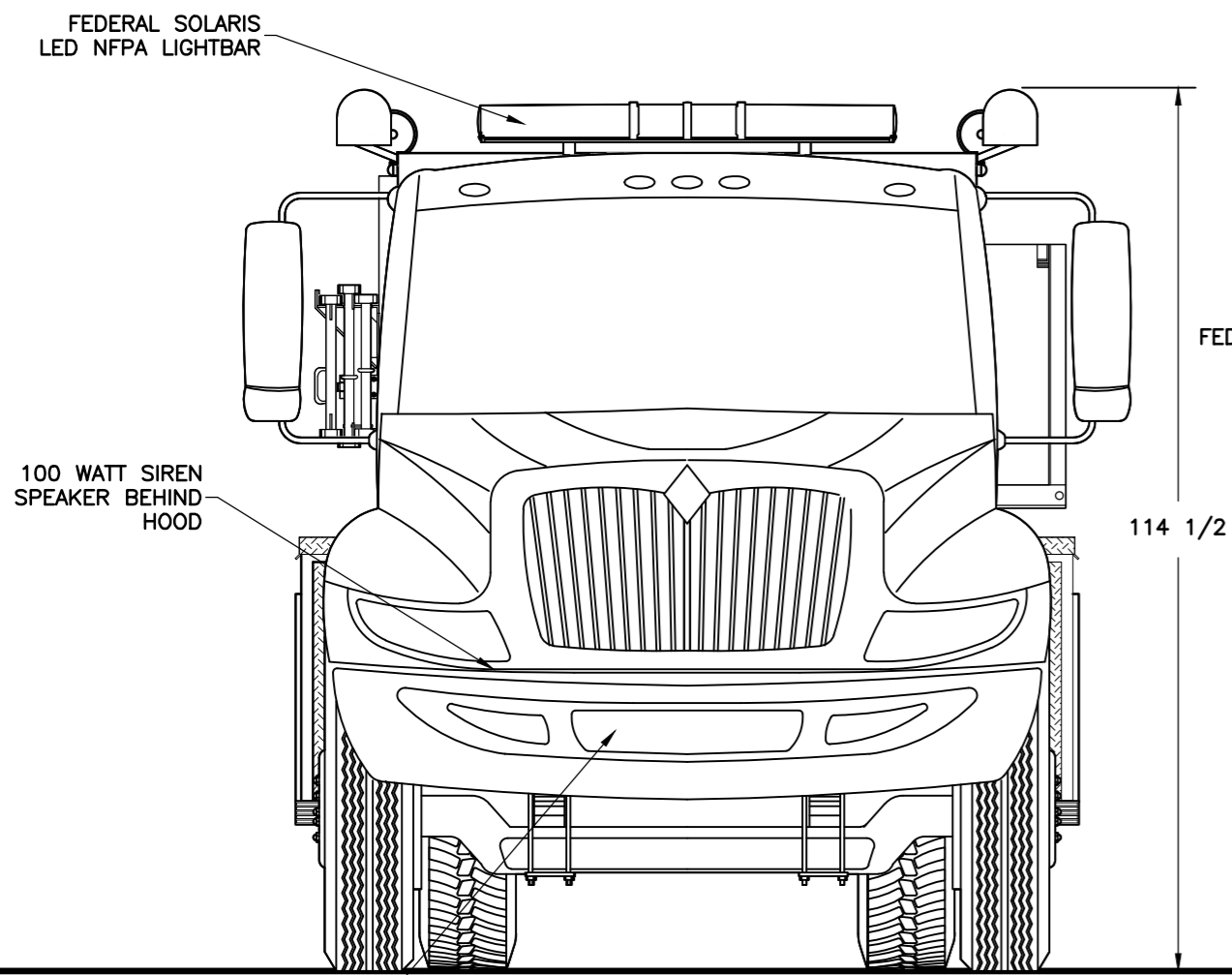
4

3

2

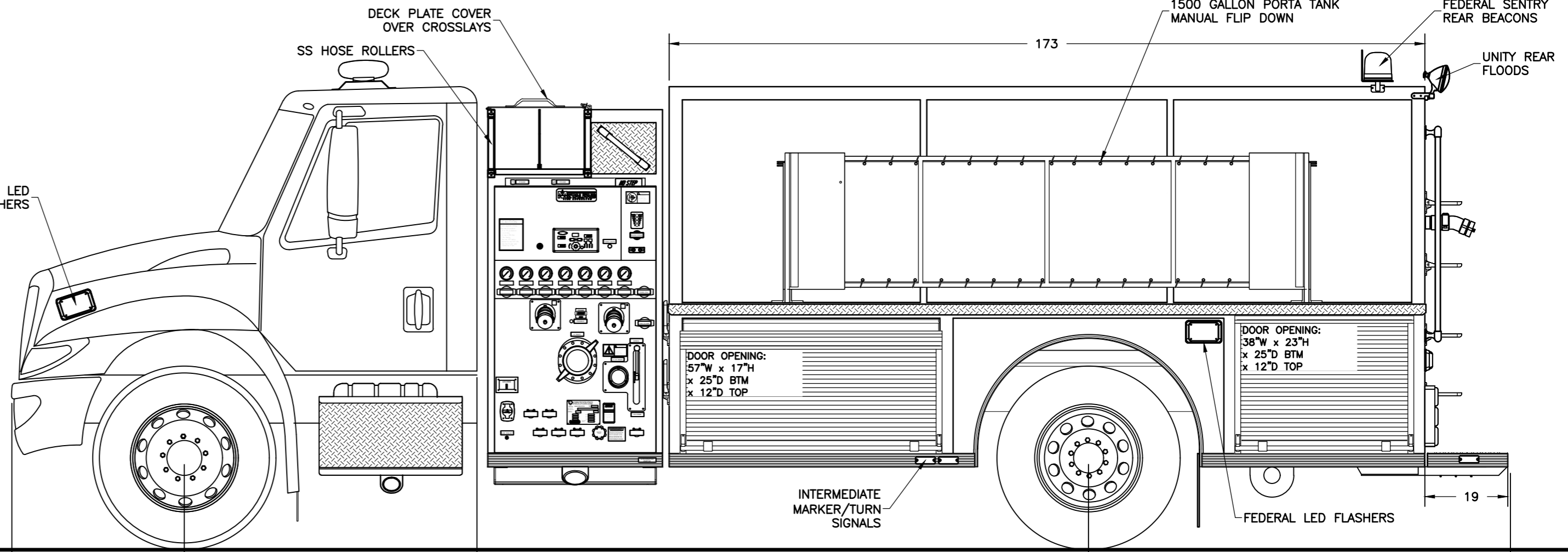
1

1	FIRST ISSUE	----	----
REV	DESCRIPTION	APVD BY	DATE
REVISIONS			



FEDERAL LED FLASHERS

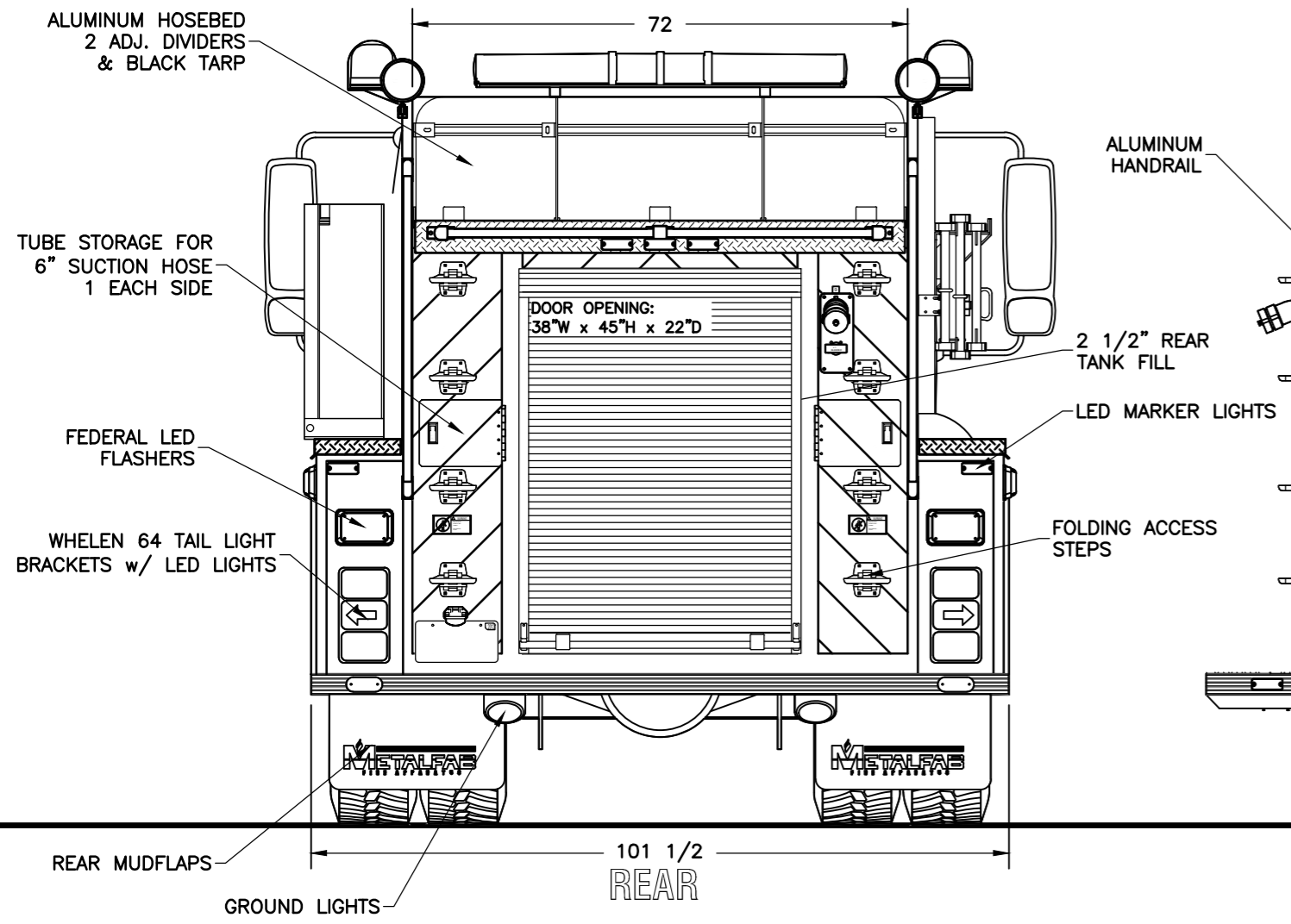
114 1/2



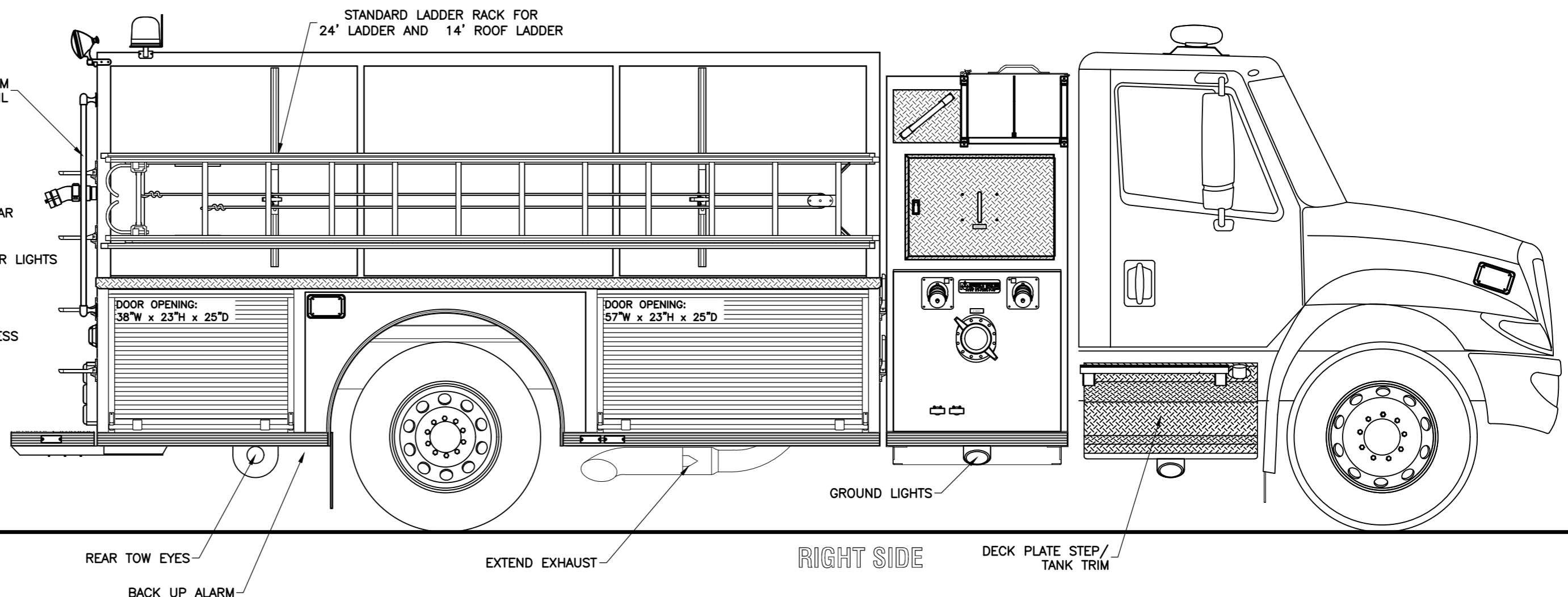
LEFT SIDE

FEDERAL LED FLASHERS

FRONT



REAR



RIGHT SIDE

CHASSIS: 2014 TWO DOOR INTERNATIONAL CHASSIS
 PUMP: HALE QFLO 1050 IGPM
 TANK: 1000 Imp. Gal. POLYPROPYLENE
 20 Imp. Gal. FOAM CELL
 FOAM: FOAMPRO 2001

SUCTION: 1 - 6" LEFT (NOT GATED)
 1 - 6" RIGHT (NOT GATED)
 1 - 2 1/2" LEFT
 1 - 3" TANK TO PUMP

DISCHARGES: 2 - 2 1/2" LEFT
 2 - 2 1/2" RIGHT
 2 - 1 1/2" CROSSLAYS (FOAM)
 1 - 2 1/2" REAR (FOAM)
 1 - 2" TANK FILL

IONA
 FIRE DEPARTMENT
 JOB No. M13-17530
 DRAWN BY T CULLINS
 DATE 02-07-12
 METALFAB LTD.
 847 CENTRAL ST. CENTREVILLE
 NB. CANADA E7K 2E8

TITLE GENERAL ARRANGEMENT

DRAWING NO. FT-10569

REV 0

-ALL ALUMINIUM CONSTRUCTION - ALL DIMENSIONS ARE IN INCHES

8

7

6

5

4

3

2

1