

8

7

6

5

4

3

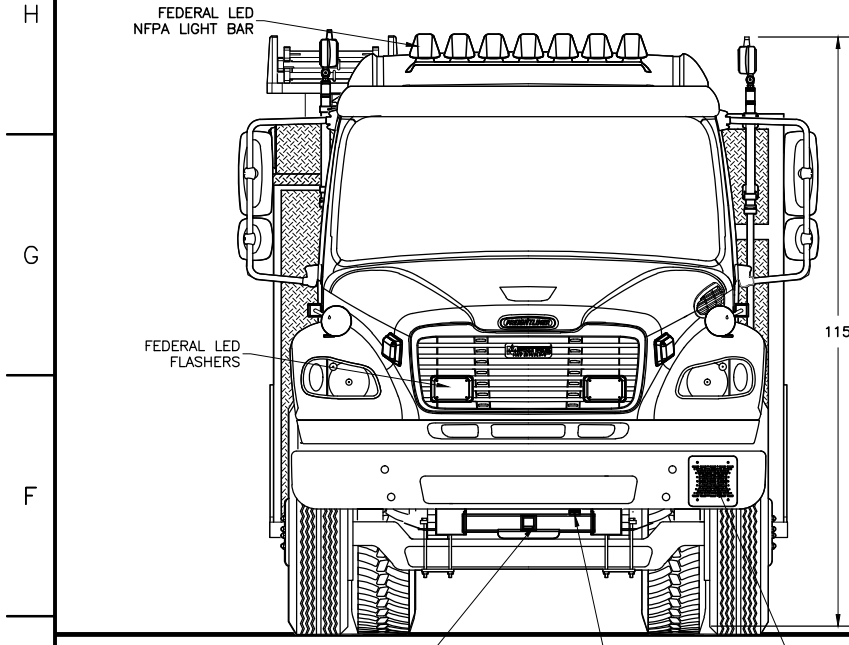
2

1

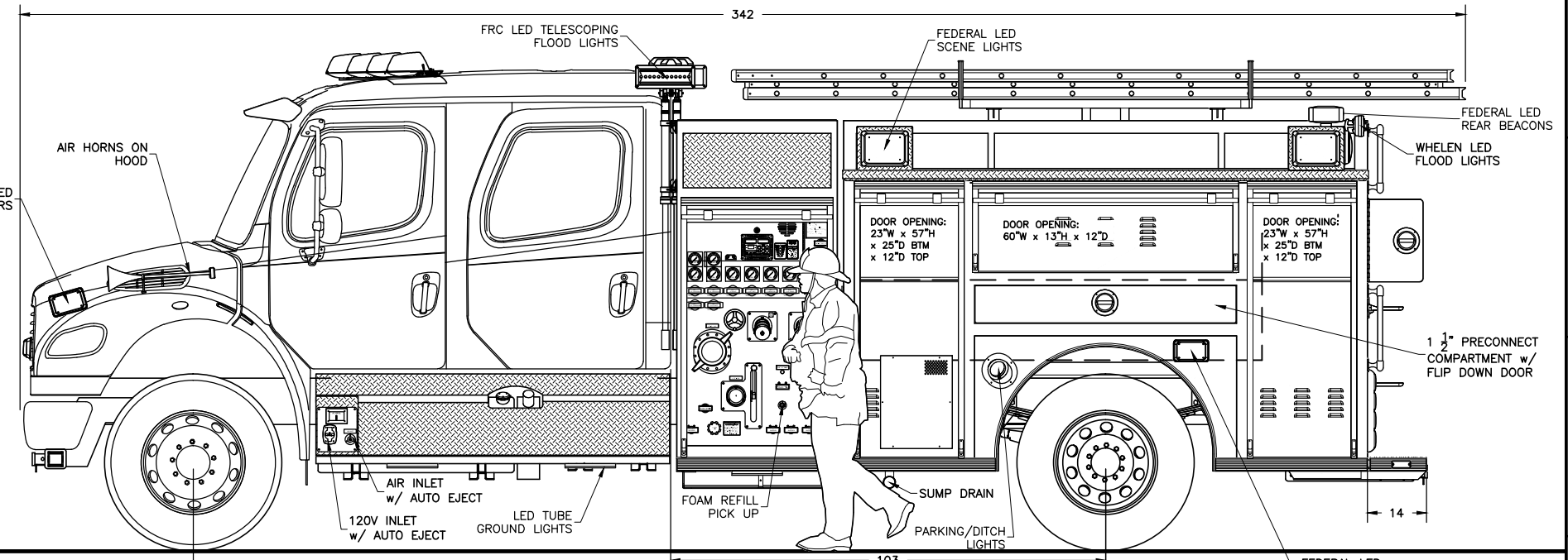
NOT SHOWN:  
 CONSOLE IN CAB  
 AUTOMATIC TRACTION CHAINS  
 KUSSMAUL BATT. COND.  
 WARN WINCH SYSTEM

LED TUBE COMPT. LIGHTS  
 12V FRIDGE  
 HONDA 3000W GENERATOR/INVERTER  
 2 - SLIDING TRAYS

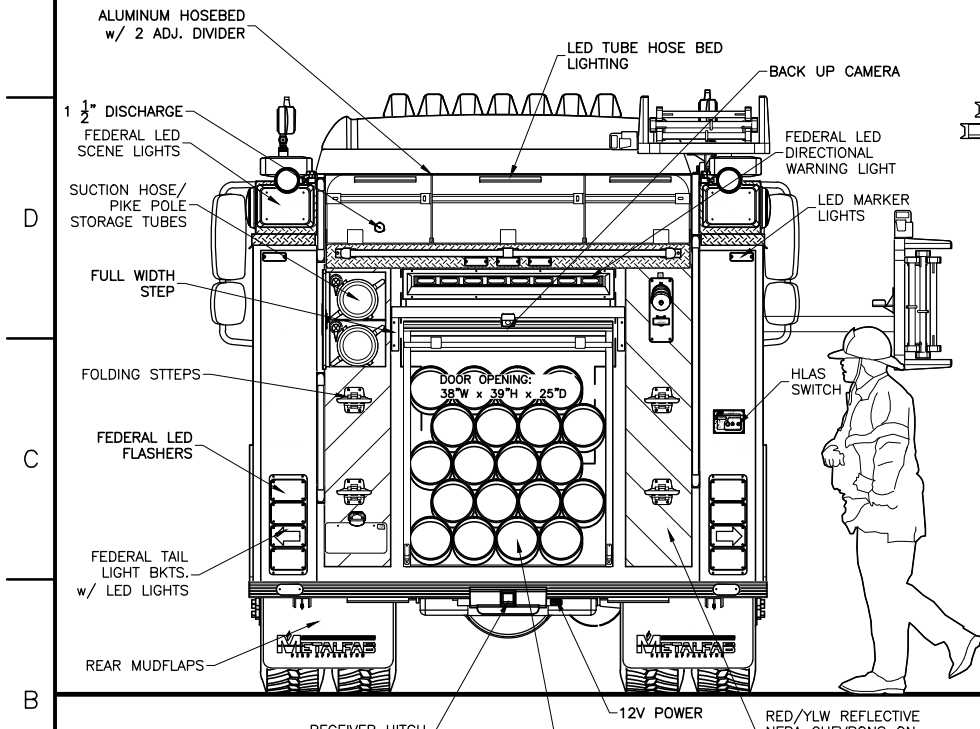
4 ADJ. SHELVES  
 REFLECTIVE STRIPING  
 TARP OVER HOSEBED



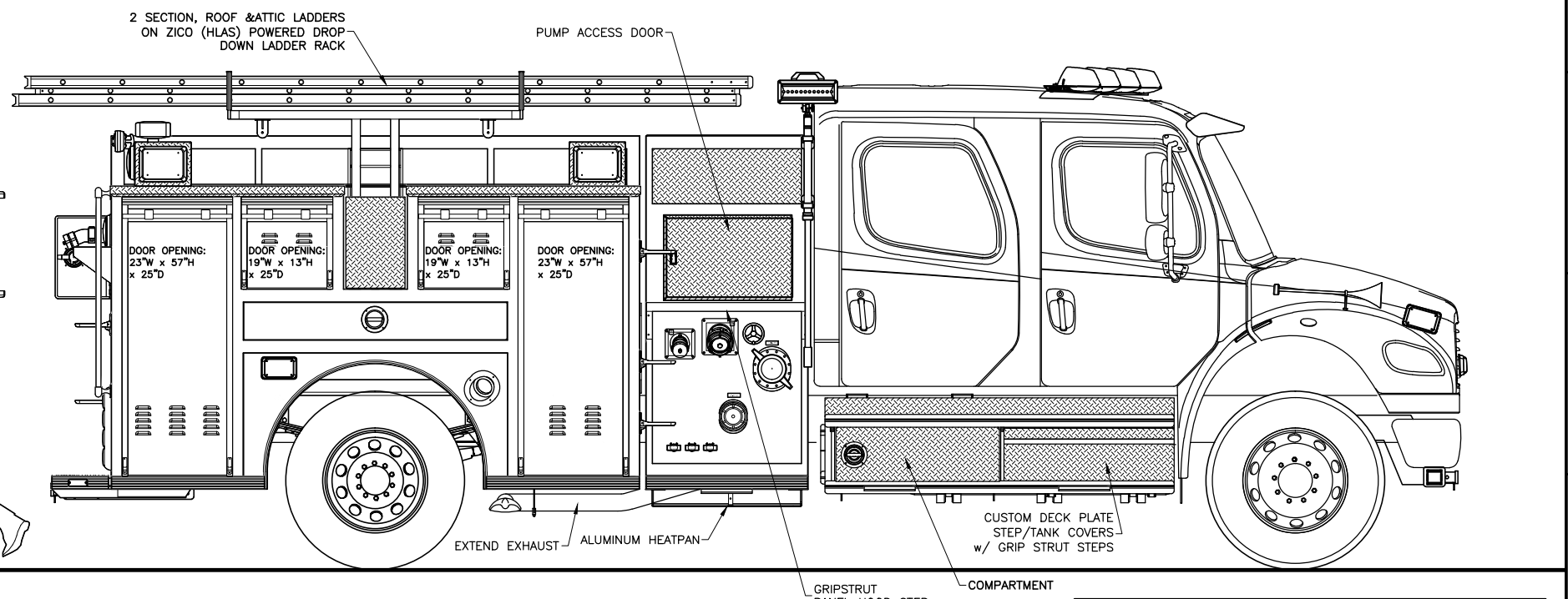
FRONT



LEFT SIDE



REAR



RIGHT SIDE

1	UPDATE TO SHOP ORDER		07-06-15
A	FIRST ISSUE	----	----
REV	DESCRIPTION	APVD BY	DATE
REVISIONS			

CHASSIS: FREIGHTLINER M2 106 4 DOOR  
 PUMP: HALE RSD 1250 IGPM PTO DRIVE (PUMP&ROLL)  
 TANK: 500 Imp. Gal. POLYPROPYLENE  
 1 - 20 Imp. Gal. FOAM CELL  
 FOAM: HYPRO FOAMPRO 2001

SUCTION: 1 - 6" LEFT (MAN. GATE)  
 1 - 6" RIGHT (MAN. GATE)  
 1 - 3" TANK TO PUMP (4" PIPE)  
 1 - 2 1/2" LEFT  
 1 - 4" RIGHT (LS PANEL CONTROL)

DISCHARGES: 1 - 4" RIGHT  
 2 - 2 1/2" LEFT  
 1 - 2 1/2" RIGHT  
 1 - 2 1/2" REAR  
 1 - 2" TANK FILL

MONTAQUE  
 FIRE DEPARTMENT  
 JOB NO.: PROPOSAL  
 DRAWN BY: T CULLINS  
 DATE: 04-02-15  
 METALFAB LTD.  
 847 CENTRAL ST. CENTREVILLE  
 NB. CANADA E7K 2E8

TITLE: GENERAL ARRANGEMENT

DRAWING NO.: FT-10711  
 REV: 1

-ALL ALUMINUM CONSTRUCTION - ALL DIMENSIONS ARE IN INCHES & APPROXIMATE

8

7

6

5

4

3

2

1