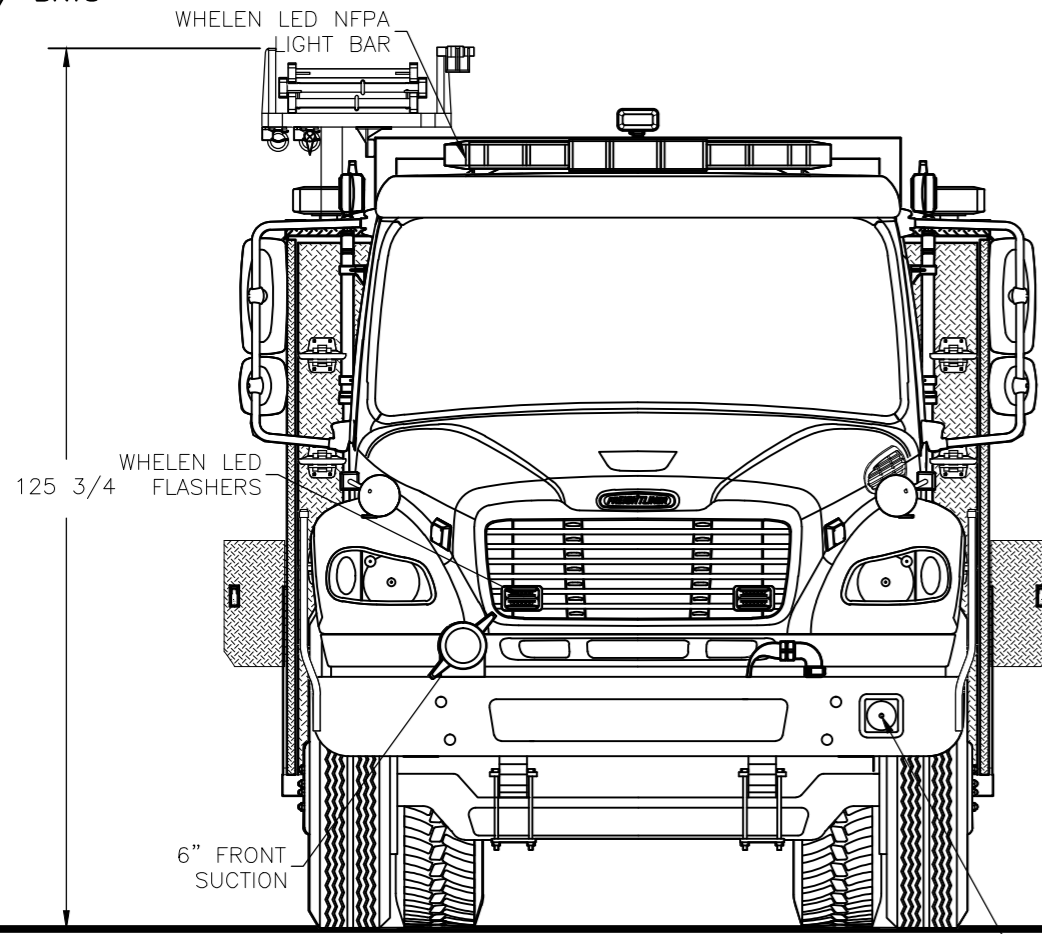


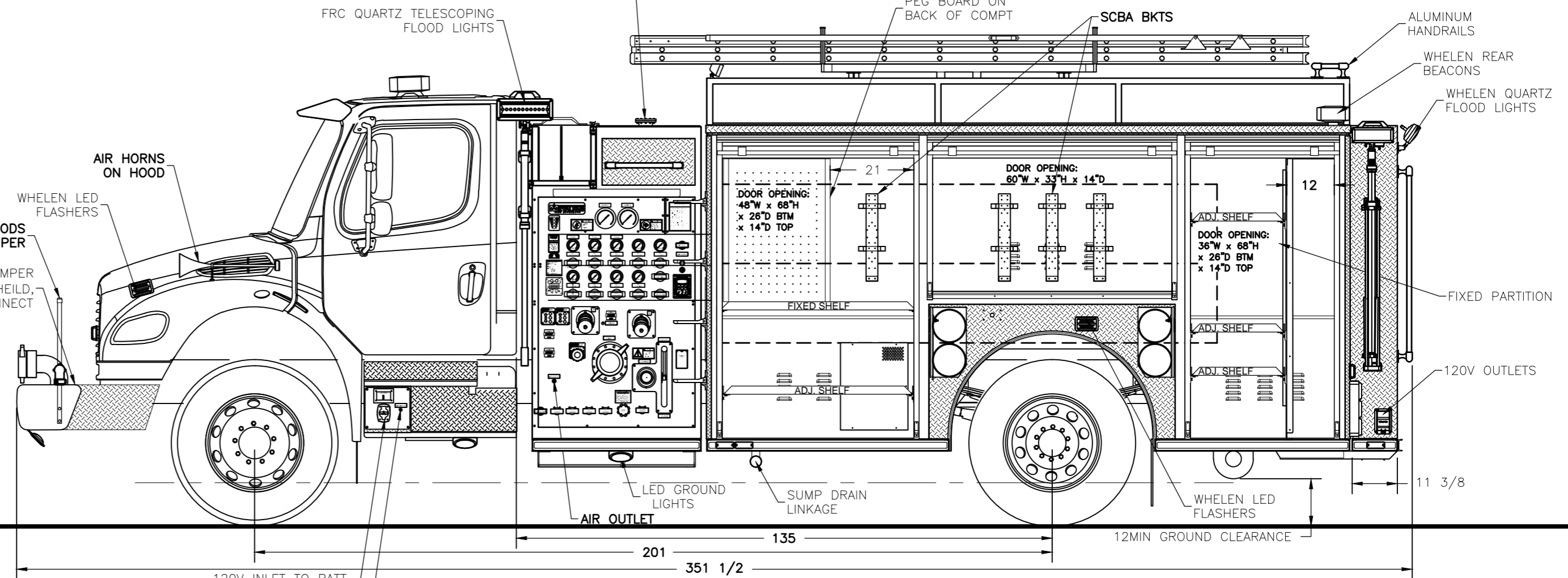
NOT SHOWN:
 TARP OVER HOSEBED
 END TARPS ON X-LAYS
 HAND HELD SPOT LIGHT
 RUBBER MALLET
 (2) AXES / BKTS

20# DRY CHEM EXTINGUISHER
 PUMP HOUSE HEATER
 CONSOLE IN CAB
 (1) TOHATSU PUMP

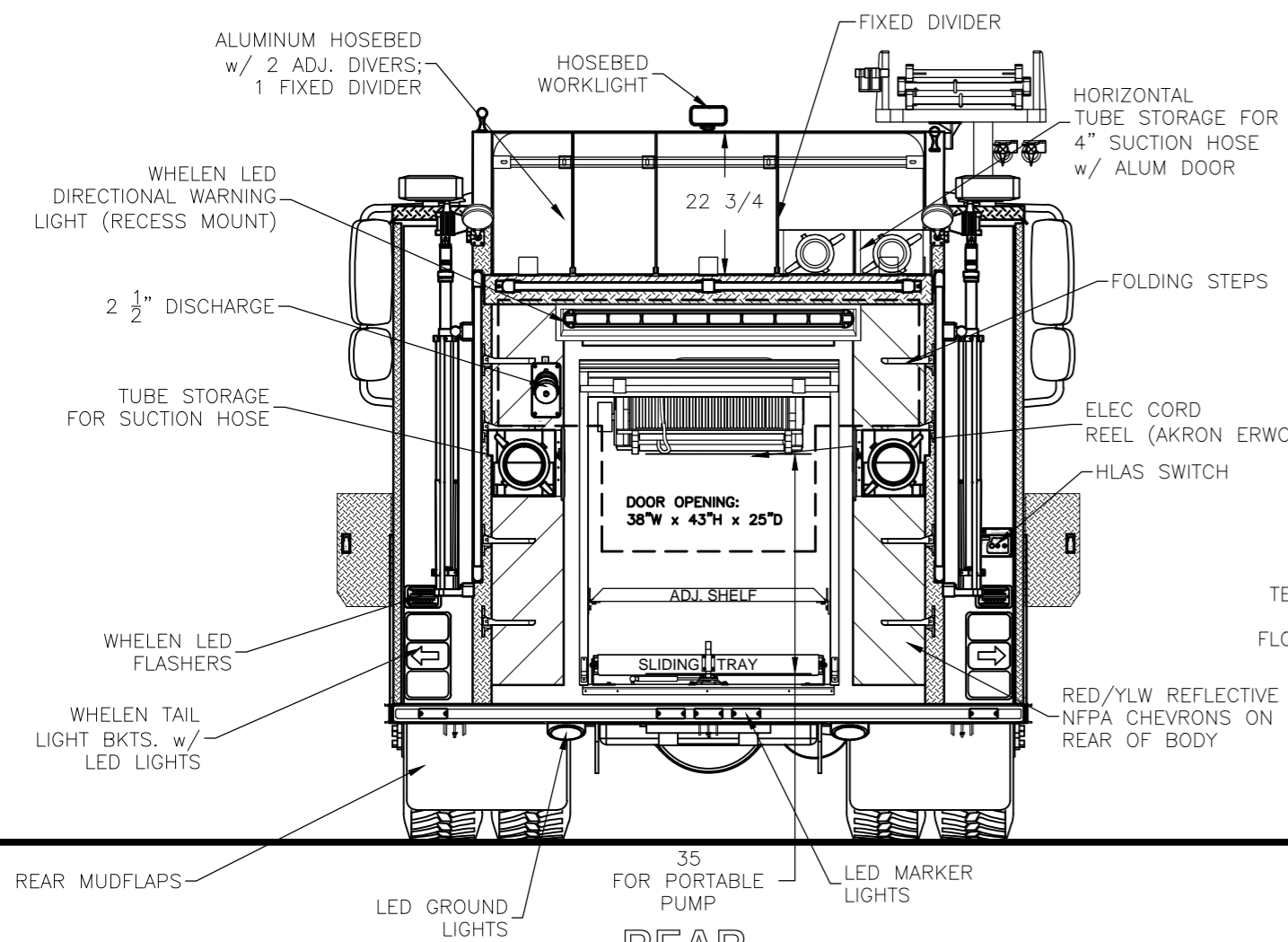
MONITOR PIPING w/
 FLANGE FOR CUSTOMER
 APOLLO MONITOR



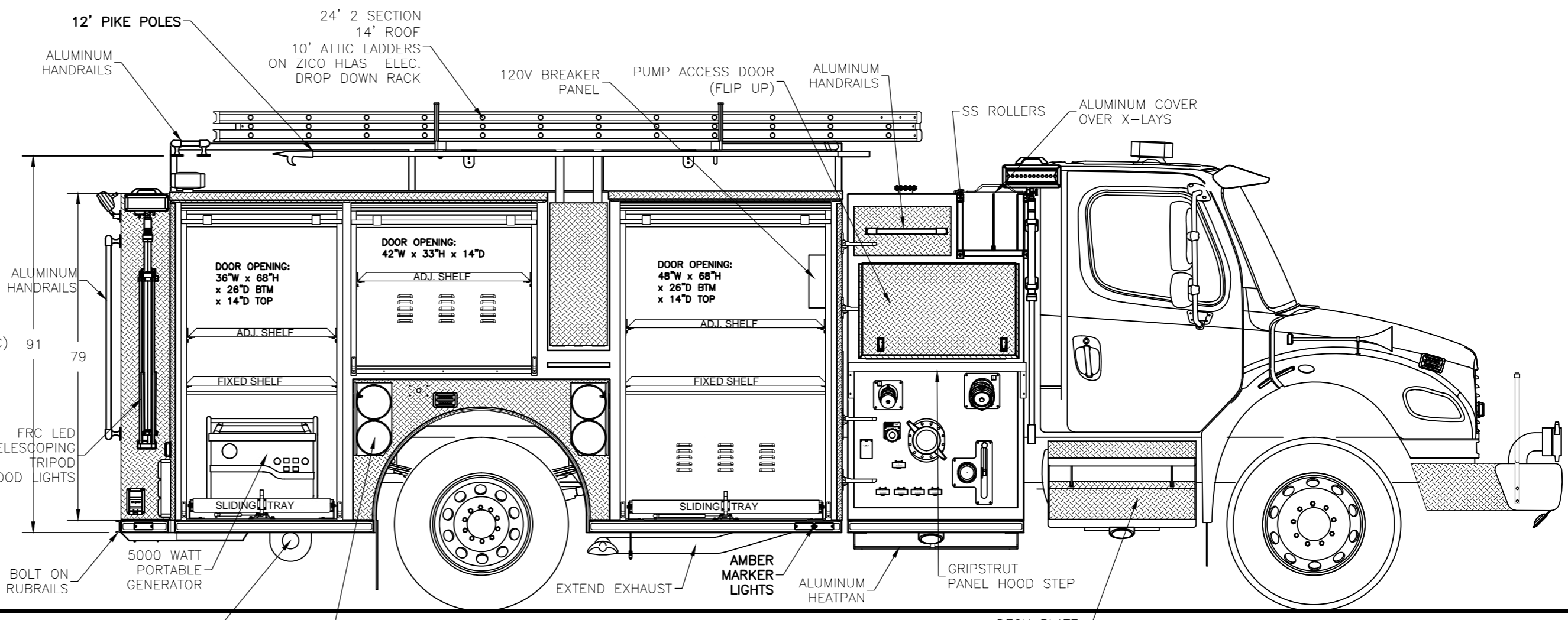
FRONT



LEFT SIDE



REAR



RIGHT SIDE

REV	DESCRIPTION	APVD BY	DATE
2	CH'D HT, BA DOORS, PANEL LAYOUT		08-12
1	UPDATE TO SHOP ORDER		
0	FIRST ISSUE		

CHASSIS: FREIGHTLINER M2 106
 PUMP: HALE QFLO 1050 IGPM
 TANK: 800 Imp. Gal > POLYPROPYLENE
 1 - 20 Imp. Gal. FOAM CELL
 FOAM: HYPRO FOAMPRO 2001

SUCTION: 1 - 6" LEFT (ELEC. GATE)
 1 - 6" RIGHT (ELEC. GATE)
 1 - 6" FRONT (4" PIPE ELEC. GATE)
 1 - 3" TANK TO PUMP
 1 - 2 1/2" LEFT
 1 - 2 1/2" RIGHT

DISCHARGES: 1 - 4" RIGHT (3" VALVE)
 1 - 3" MONITOR
 2 - 2 1/2" LEFT
 1 - 2 1/2" RIGHT
 1 - 2 1/2" REAR (FOAM)
 1 - 2 1/2" TANK FILL

SEVERN
 FIRE DEPARTMENT
 JOB No. PROPOSAL
 DRAWN BY T CULLINS
 DATE 04-25-14
 METALFAB LTD.
 847 CENTRAL ST. CENTREVILLE
 NB. CANADA E7K 2E8

TITLE GENERAL ARRANGEMENT

DRAWING NO. FT-10618

-ALL ALUMINUM CONSTRUCTION - ALL DIMENSIONS ARE IN INCHES & APPROXIMATE