

8

7

6

5

4

3

2

1

H

G

F

E

D

C

B

A

H

G

F

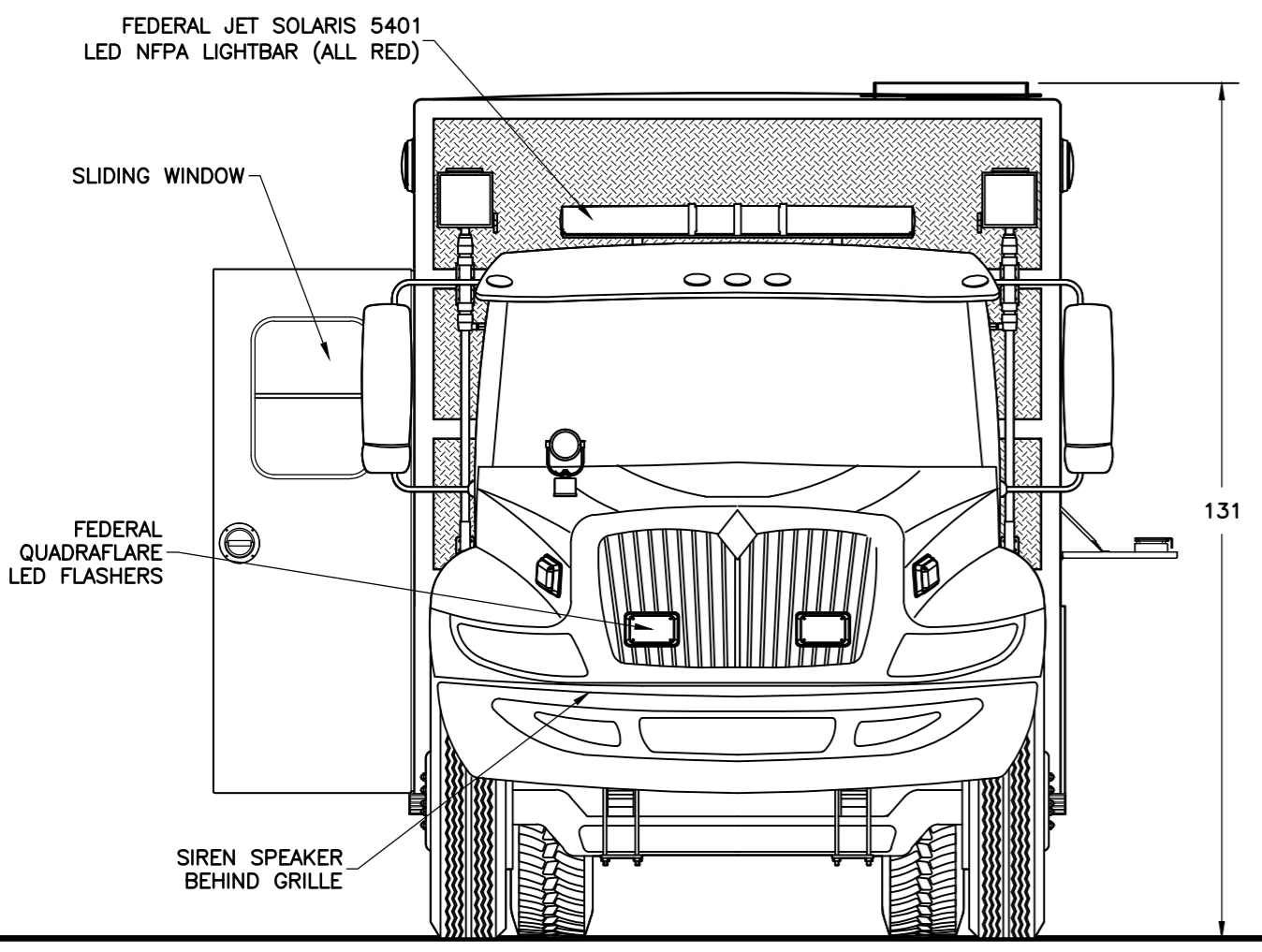
E

D

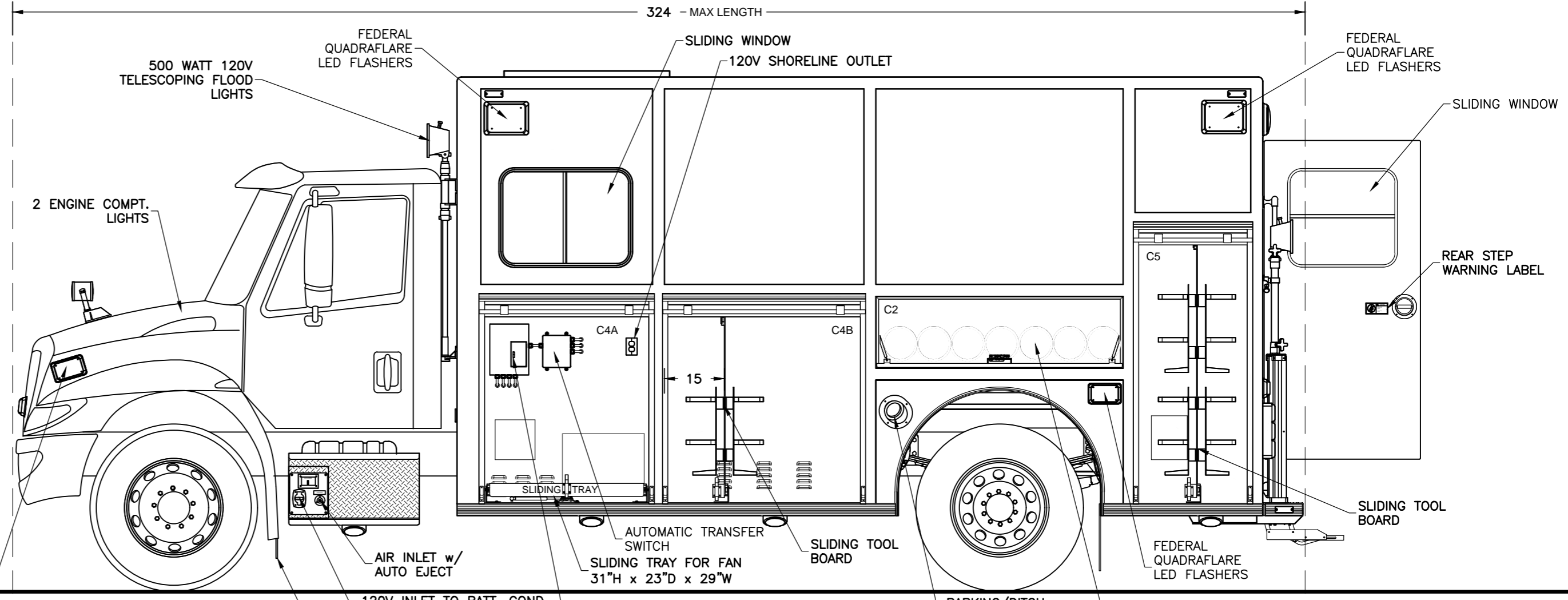
C

B

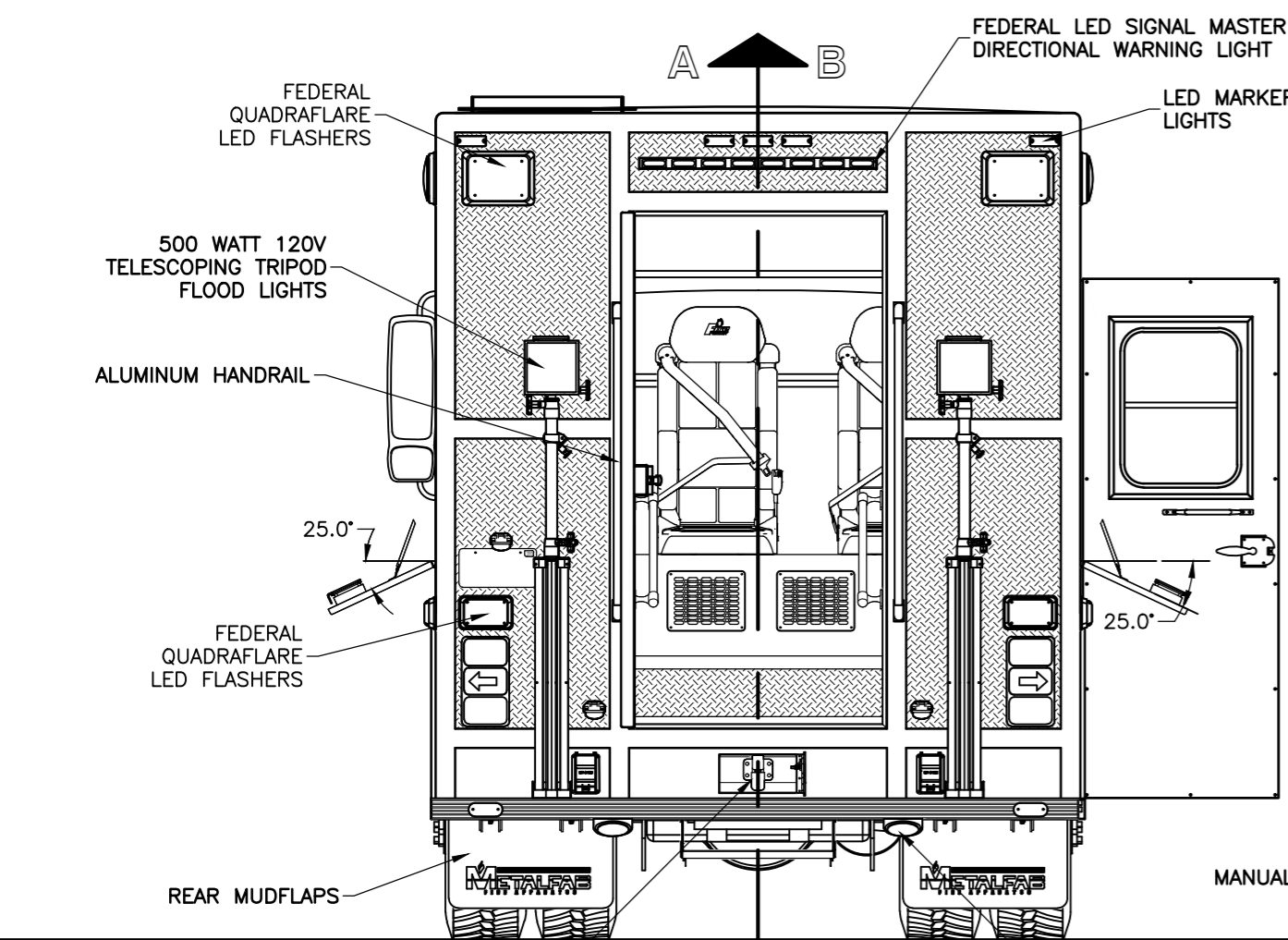
A



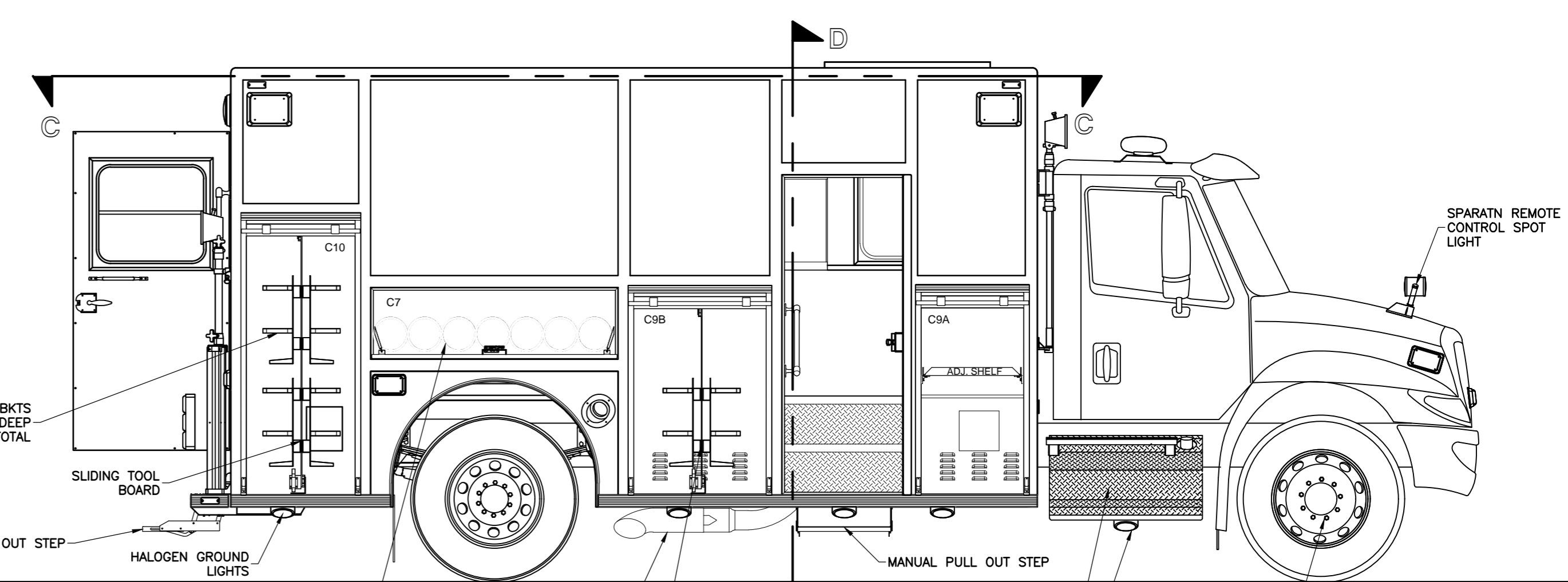
FRONT



LEFT SIDE



REAR



RIGHT SIDE

NOT SHOWN:  
 \*NON REMOVEABLE KEY  
 MASTER BATTERY DISCONNECT SWITCH-DRIVER'S SIDE FLOOR  
 \*BACK UP ALARM  
 KUSSMAUL AUTOCHARGE 1000  
 CLASS 1 ELECTRICAL SYSTEM MANAGER  
 \*AIR HORN UNDER HOOD  
 POWER SHIT PTO - HYD GENERATOR  
 FEDERAL PA 300 SIREN

LED TUBE COMPT. LIGHTS - 4" ROUND LED IN SMALL COMPTS  
 DOOR AJAR LIGHT IN CAB  
 INSTALL CUSTOMER RADIO/ANTENNA  
 TURTLE TILE ON COMPT. FLOOR  
 UNDERCOAT VEHICLE (KROWN)  
 REFLECTIVE STRIPING

LABELS:  
 FLUID CAPACITY PLATE  
 MAXIMUM RIDERS SIGN  
 SEAT BELT WARNING LABELS  
 APPARATUS INFORMATION LABEL  
 ULS DIESEL ONLY TAG

\* - INCLUDED w/ CHASSIS

REV	DESCRIPTION	APVD BY	DATE
0	FIRST ISSUE		

WESTVILLE FIRE DEPARTMENT  
 JOB No. M13-17579  
 DRAWN BY T CULLINS  
 DATE 12-16-13  
 METALFAB LTD.  
 847 CENTRAL ST. CENTREVILLE NB. CANADA E7K 2E8

TITLE GENERAL ARRANGEMENT

DRAWING NO. 17579-19 SHT 1 OF 2

8

7

6

5

4

3

2

1