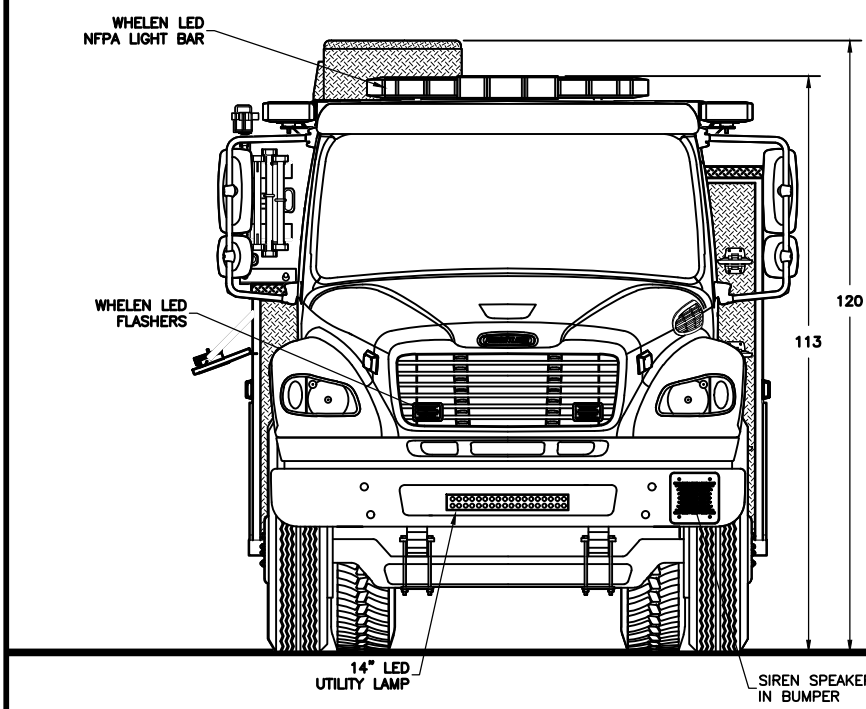
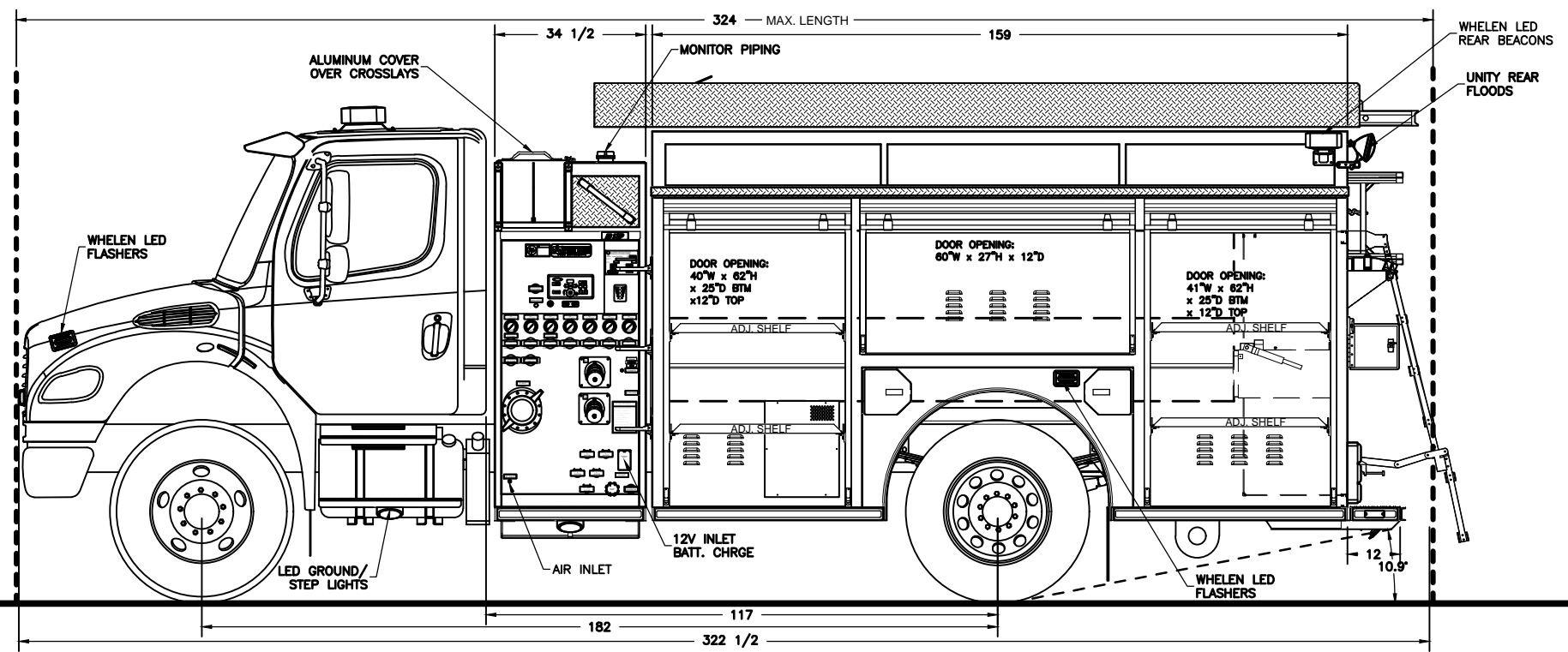


NOT SHOWN:
 ENGINE COMPT. LIGHTS
 LED TUBE COMPT. LIGHTS
 DOOR AJAR LIGHT IN CAB
 TURTLE TILE COMPT. FLOOR MATTING
 REFLECTIVE STRIPING

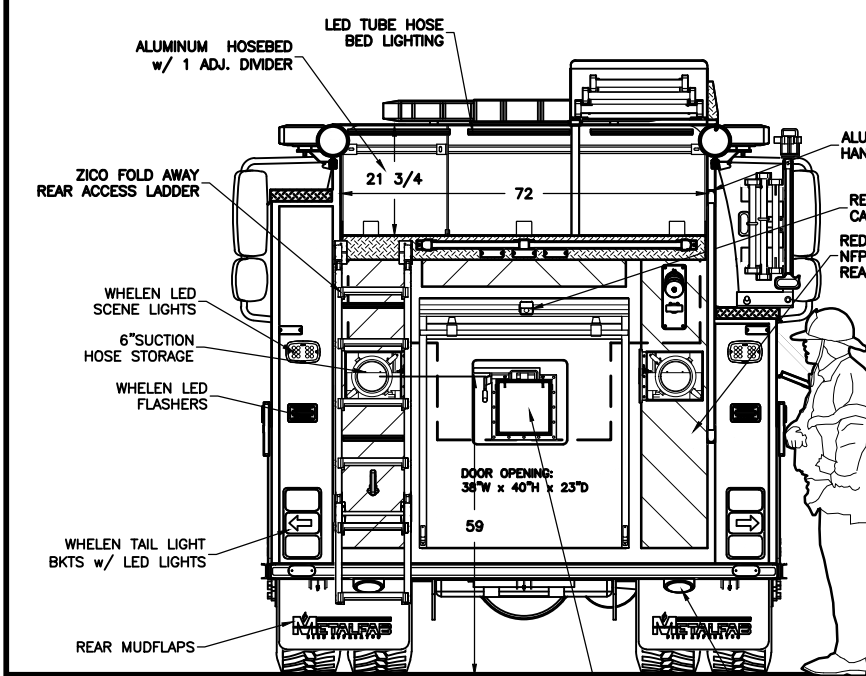
HOSE BED RESTRAINTS
 HEATER IN PUMPHOUSE
 2 - WHEEL CHOCKS
 1 - BAG MISC. FASTENERS



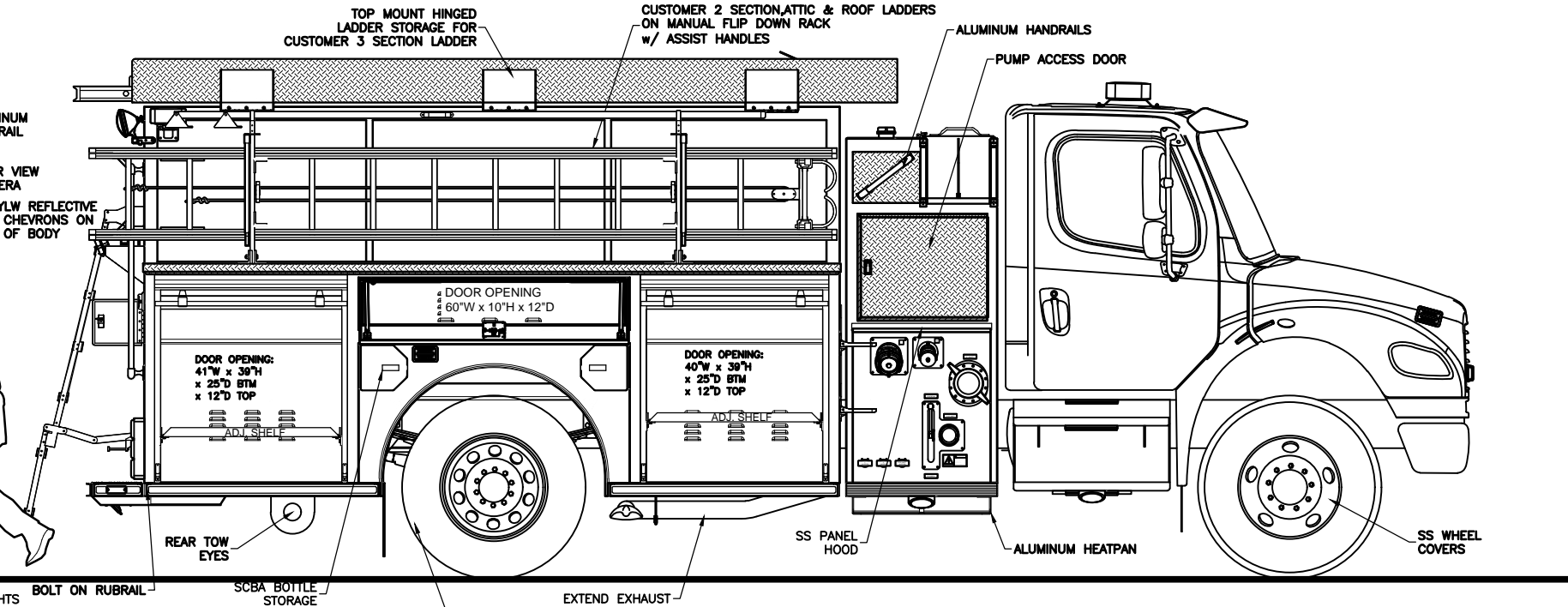
FRONT



LEFT SIDE



REAR



RIGHT SIDE

CHASSIS: FREIGHTLINER M2 106
 PUMP: WATEROUS CX 1050 IGPM
 TANK: 1000 US Gal. POLYPROPYLENE
 1 - 20 Imp. Gal. FOAM CELL
 FOAM: FOAMPRO 2002 SINGLE TANK

SUCTION: 1 - 6" LEFT (NO GATE)
 1 - 6" RIGHT (NOT GATE)
 1 - 3" TANK TO PUMP (4" PIPING)
 1 - 2 1/2" LEFT

DISCHARGES: 1 - 3" MONITOR
 2 - 2 1/2" LEFT
 1 - 4" RIGHT (3" VALVE)
 1 - 2 1/2" RIGHT (FOAM)
 1 - 2 1/2" REAR (FOAM)
 1 - 2" TANK FILL
 2 - 1 1/2" CROSSLAYS (FOAM)

-ALL ALUMINUM CONSTRUCTION - ALL DIMENSIONS ARE IN INCHES & APPROXIMATE

2	UPDATE TO CHANGE ORDER REQUEST "A"	LS	01-18-17
1	UPDATE TO SHOP ORDER REVIEW	TEC	11-28-16
0	FIRST ISSUE		
REV	DESCRIPTION	BY	DATE
REVISIONS			
ATHOLVILLE FIRE DEPARTMENT		TITLE GENERAL ARRANGEMENT	
JOB NO. PROPOSAL			
DRAWN BY T CULLINS			
DATE 10-05-16		DRAWING NO. FT-10686	
METALFAB LTD. 847 CENTRAL ST. CENTREVILLE NB. CANADA E7K 2E8		REV 2	