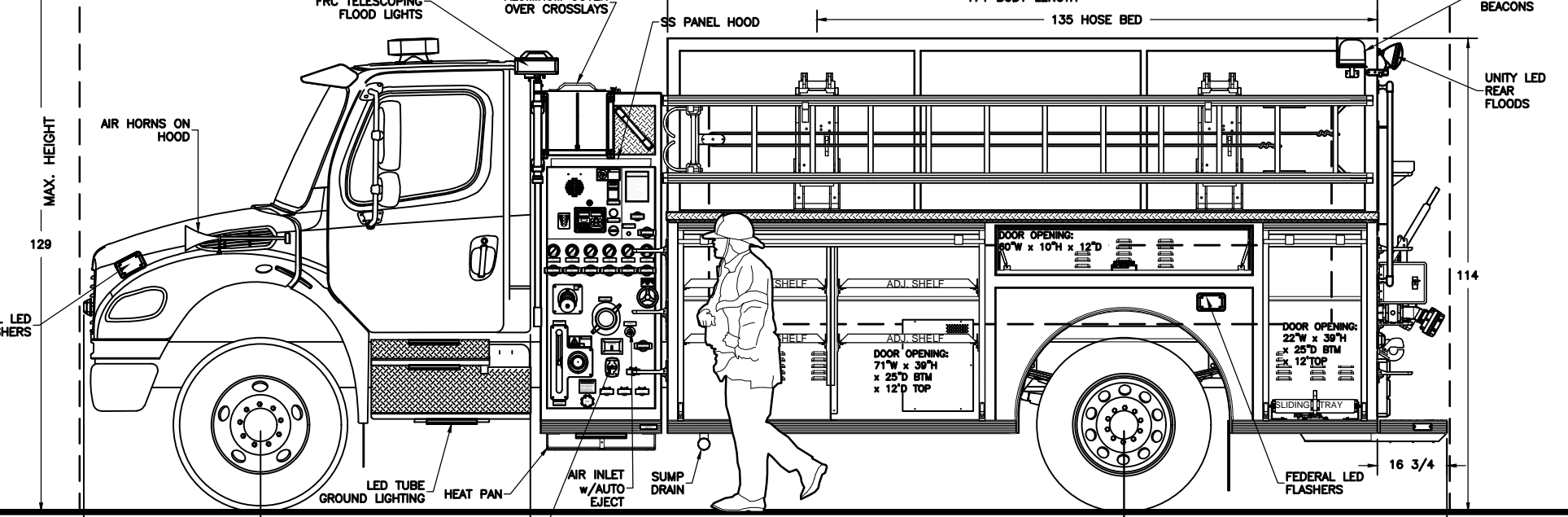
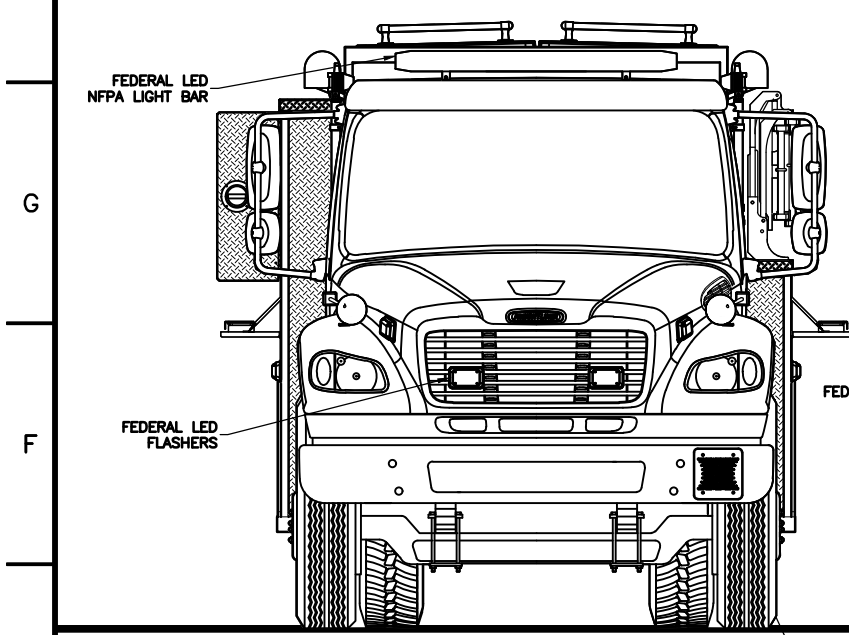


NOT SHOWN:
 AUTOMATIC TRACTION CHAINS
 KUSSMAUL BATT. COND.
 LED TUBE COMPT. LIGHTING
 INTERLOCKING TILE COMPT. MATTING
 KROWN UNDER COATING
 HEATER IN PUMP HOUSE

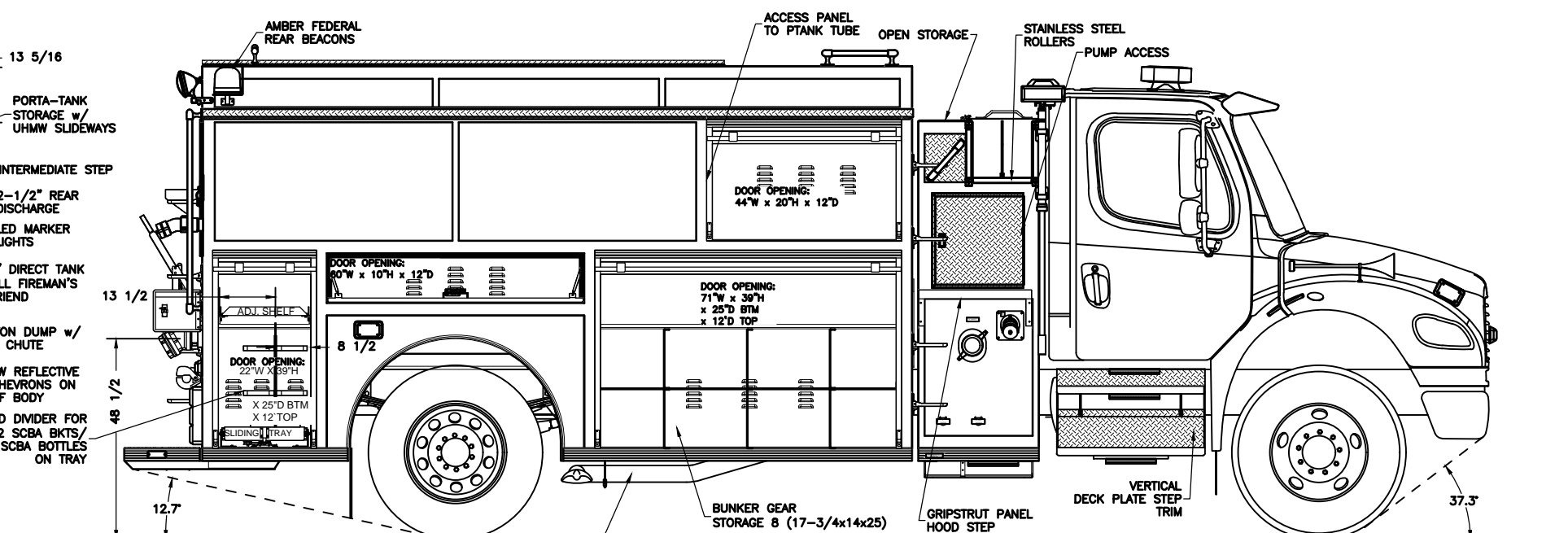
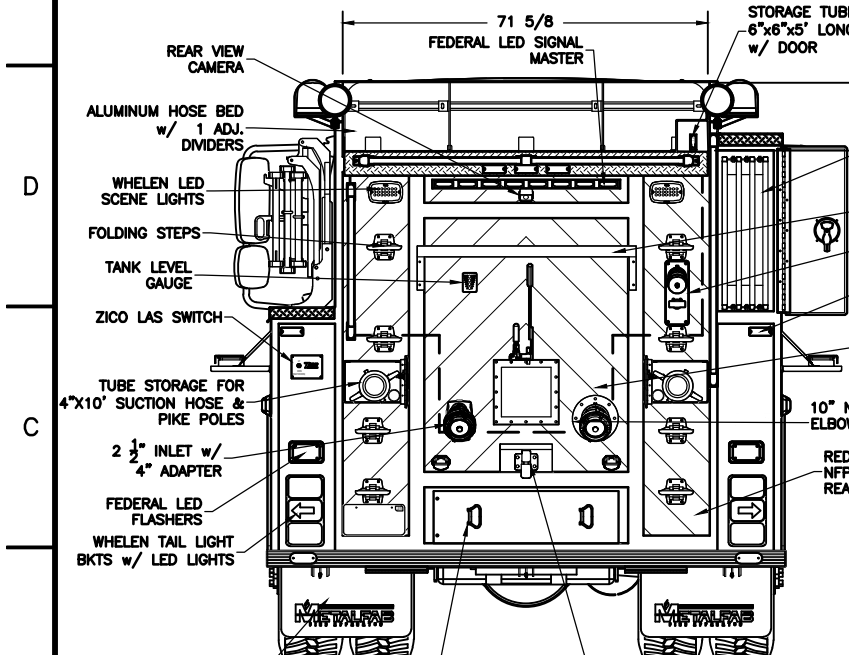
BLACK TARP OVER HOSE BED
 (2) 4" x 10' SUCTION HOSE
 (1) RUBBER MALLETT
 (2) PIKE POLES
 (1) 1500 Gal. PORTABLE TANK

(4) SCBA BKTS
 ((1) 4" FLOATING STRAINER
 (1) 4" LOW LEVEL STRAINER



FRONT

LEFT SIDE



REAR

RIGHT SIDE

CHASSIS: FREIGHTLINER M2 106 2 DOOR
 PUMP: HALE AP 420 IGPM PTO DRIVE PUMP & ROLL
 TANK: 1500 Imp. Gal. POLYPROPYLENE
 FOAM: N/A

SUCTION: 1 - 4" LEFT (5" PIPING)
 1 - 4" RIGHT (5" PIPING)
 1 - 2 1/2" LEFT
 1 - 2 1/2" REAR
 1 - 3" TANK TO PUMP (4" PIPING)

DISCHARGES: 1 - 2 1/2" LEFT
 1 - 2 1/2" RIGHT
 1 - 2 1/2" REAR
 1 - 2" TANK FILL
 2 - 1 1/2" CROSSLAYS

REV	DESCRIPTION	APVD BY	DATE
2	UPDATE TO C/O "A"	TEC	04-03-17
1	UPDATE TO SHOP ORDER REVIEW	LS	01-19-17
0	FIRST ISSUE		

ANTIGONISH COUNTY VOL. FIRE DEPARTMENT
 JOB NO. 19448
 DRAWN BY T CULLINS
 DATE 04-05-15
 METALFAB LTD.
 847 CENTRAL ST. CENTREVILLE NB. CANADA E7K 2E8

TITLE GENERAL ARRANGEMENT
 DRAWING NO. FT-10728
 REV 0

-ALL ALUMINUM CONSTRUCTION - ALL DIMENSIONS ARE IN INCHES & APPROXIMATE