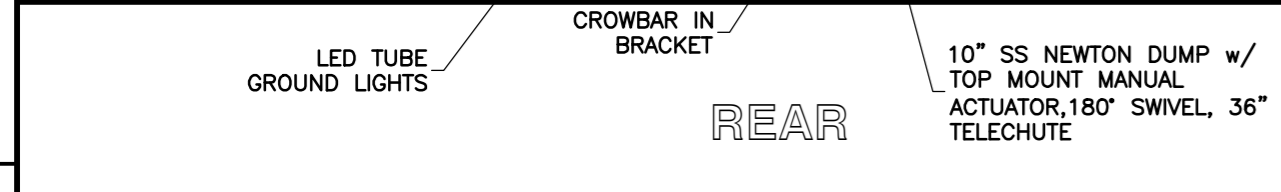
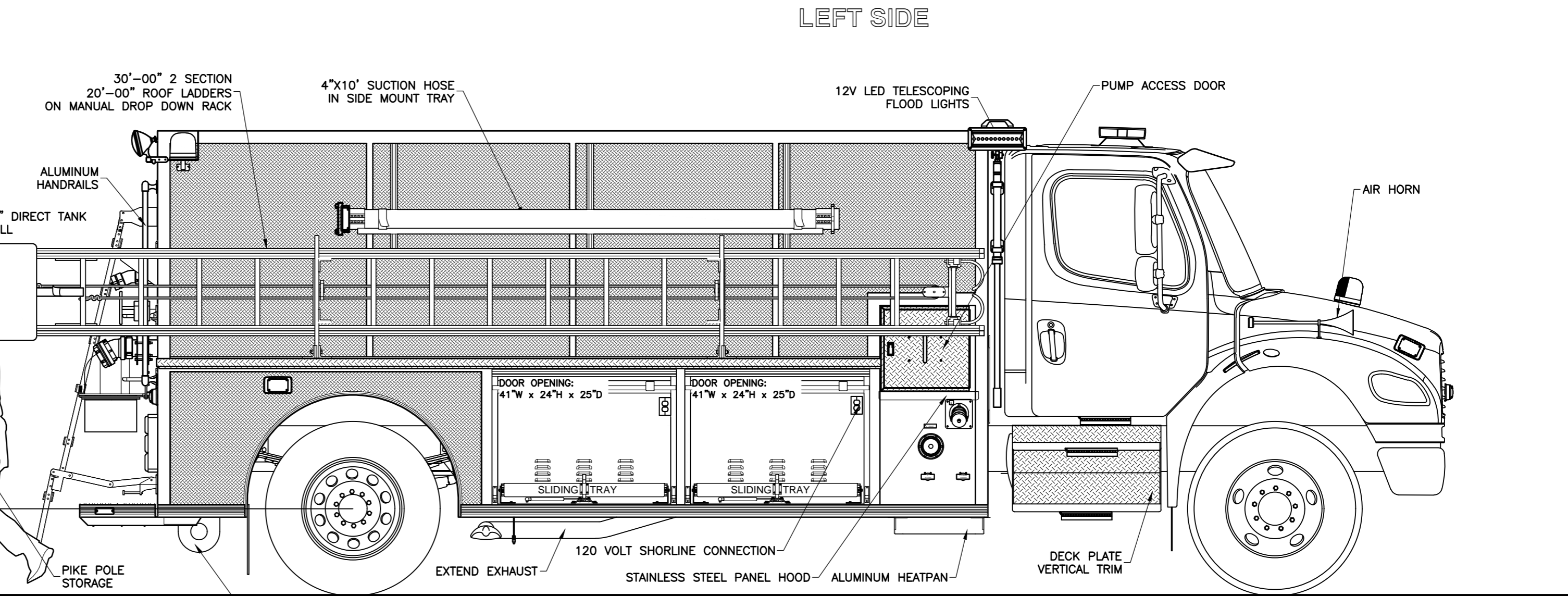
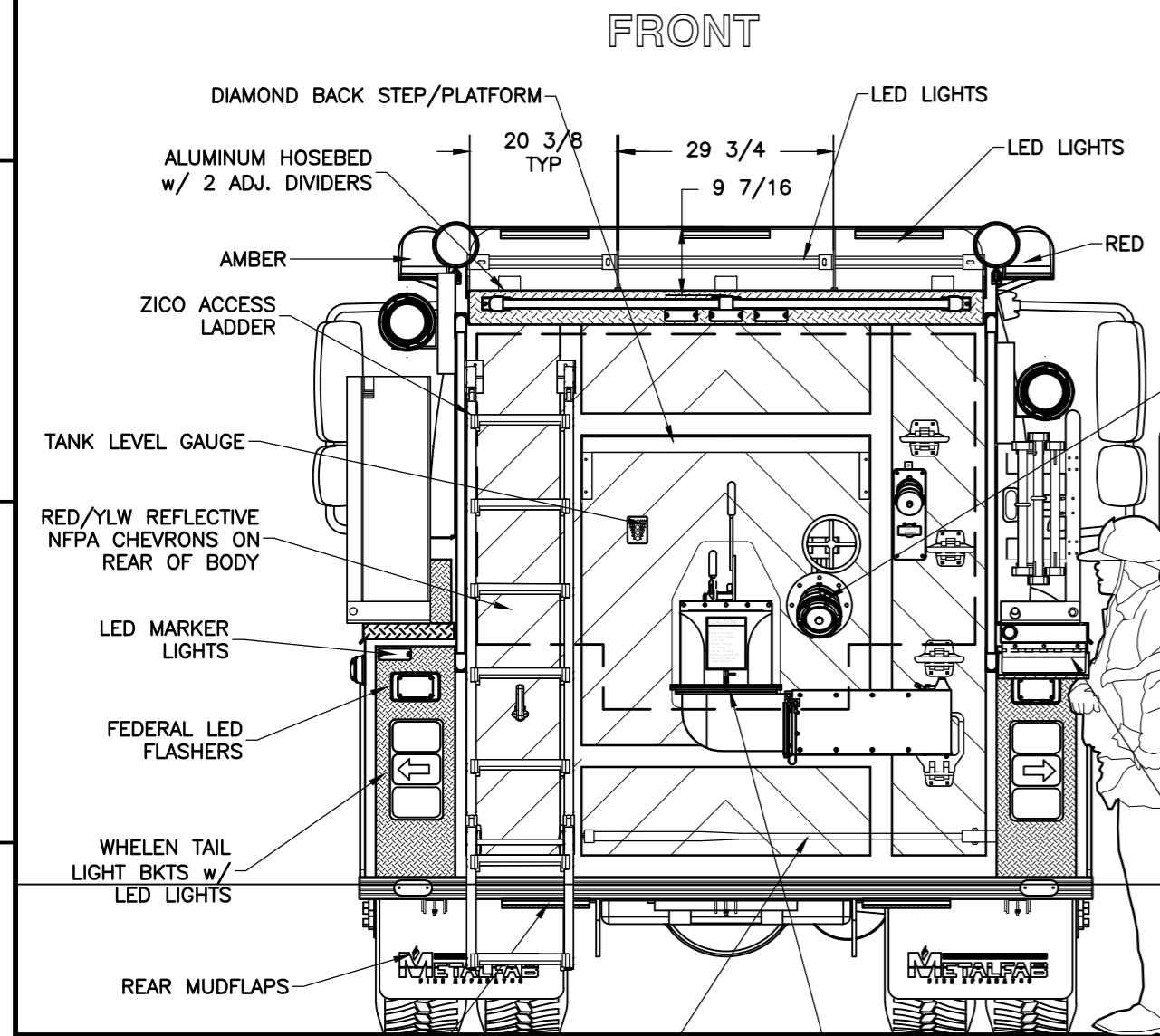
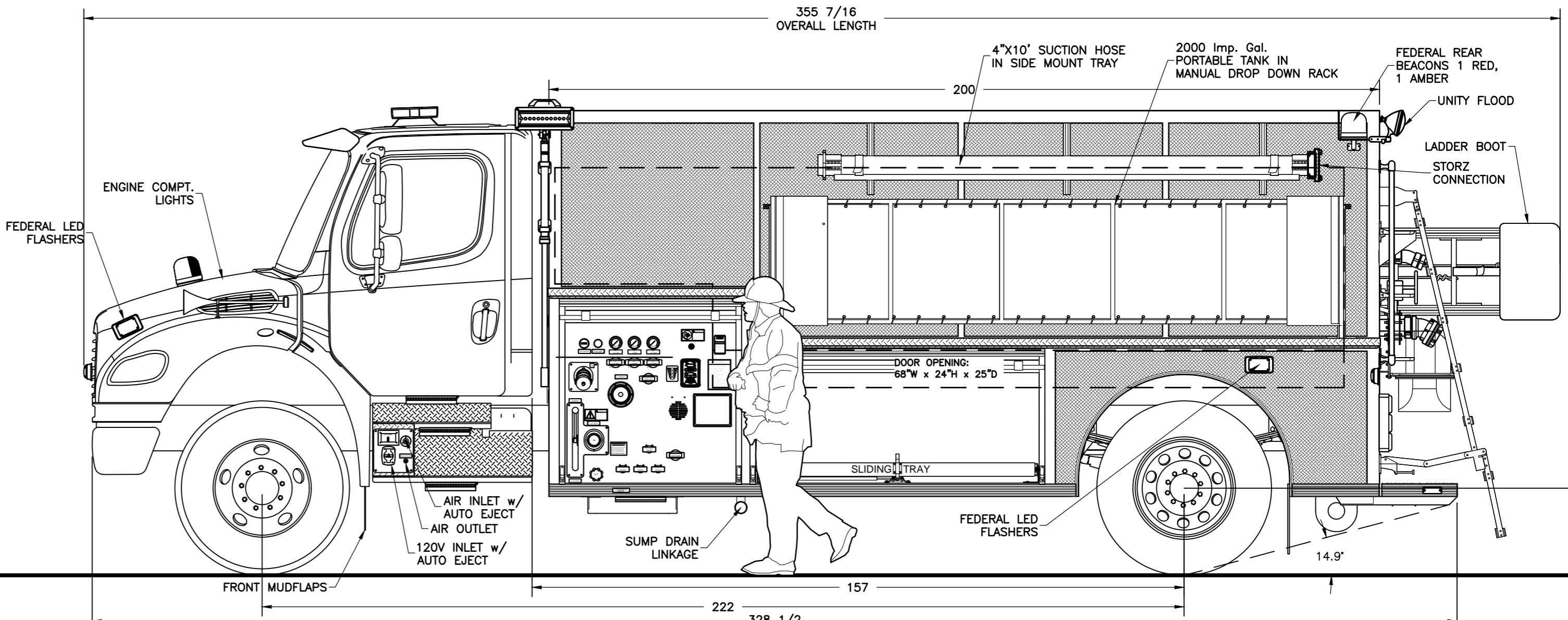
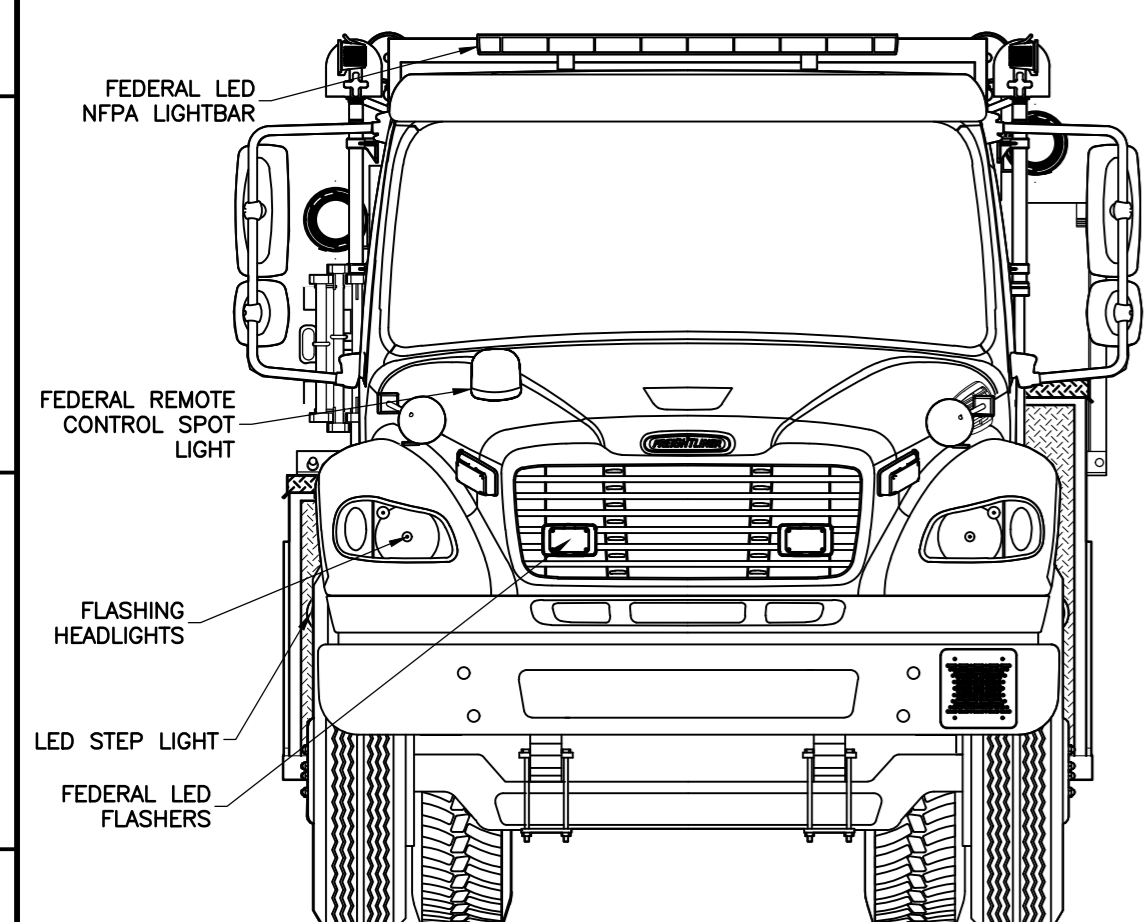


NOT SHOWN:  
 KUSSMAUL BATTERY CONDITIONER  
 FEDERAL 100 WATT SIREN  
 INTERLOCKING TILE ON COMPT. FLOORS  
 REFLECTIVE STRIPING  
 HOSE WRENCHES (3)  
 10' PIKE POLE

BARREL STRAINER (STORZ COUPLED)  
 RUBBER Mallet  
 WHEEL CHOCKS (2)



REV	DESCRIPTION	APVD BY	DATE
2	UPDATED TO CHANGE ORDER-A	RDM	07-04-17
1	UPDATED TO SHOP ORDER	RDM	05/16/17

CHASSIS: CUSTOMER SUPPLIED M2 106  
 PUMP: HALE AP 420 IGPM PTO DRIVE  
 TANK: 2000 Imp. Gal. POLYPROPYLENE  
 FOAM: N/A

SUCTION: 1 - 4" LEFT (STORZ CONNECTION)  
 1 - 4" RIGHT (STORZ CONNECTION)  
 1 - 3" TANK TO PUMP (4" PUMPING)  
 1 - 2 1/2" LEFT

DISCHARGES: 1 - 2 1/2" LEFT  
 1 - 2 1/2" RIGHT  
 1 - 2 1/2" REAR  
 1 - 2" TANK FILL

HILLSBOROUGH  
 FIRE DEPARTMENT  
 JOB No. 19700  
 DRAWN BY T CULLINS  
 DATE 07-22-15  
 METALFAB LTD.  
 847 CENTRAL ST. CENTREVILLE  
 NB. CANADA E7K 2E8

TITLE GENERAL ARRANGEMENT  
  
 DRAWING NO. FT-10753  
 REV 2

-ALL ALUMINUM CONSTRUCTION - ALL DIMENSIONS ARE IN INCHES & APPROXIMATE