

NOT SHOWN: -VEHICLE DATA RECORDER
 -DUAL USB CHARGING SOCKET IN CAB
 -TIRE PRESSURE INDICATORS
 -NON REMOVABLE KEY
 -CONSOLE IN CAB
 -BATTERY BOOST TERMINALS
 -MASTER BATTERY DISCONNECT
 -BACKUP ALARM
 -KUSSMAUL PUMP PLUS COND/COMPRESSOR
 -DOOR AJAR WARNING LIGHT
 -EQUIPMENT RACK NOT STOWED LIGHT(2)
 -STRAP TO SECURE SCBA CYL
 -KROWN UNDERCOAT
 -REFLECTIVE STRIPES

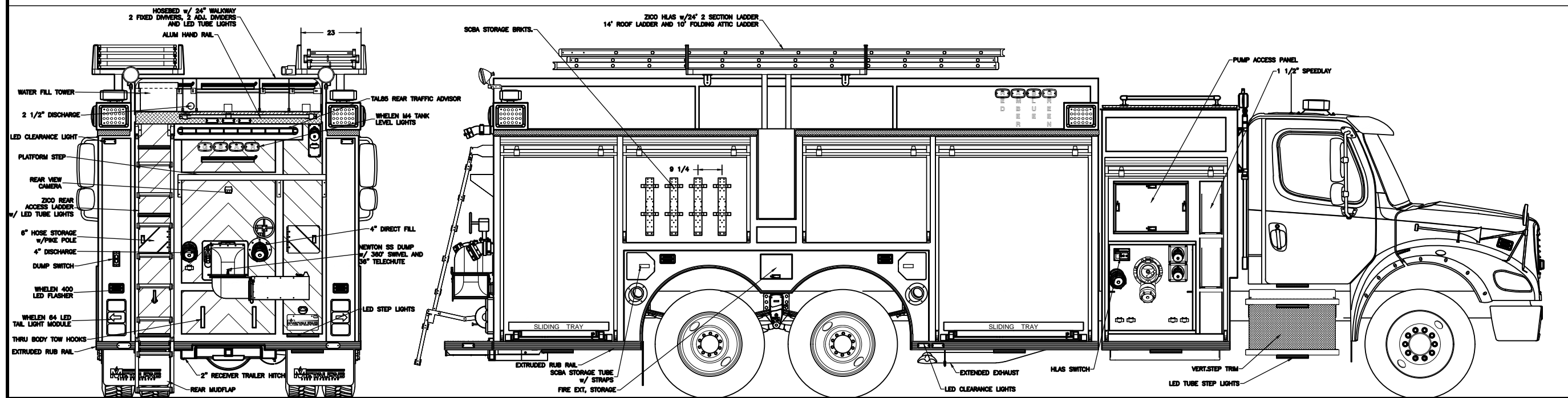
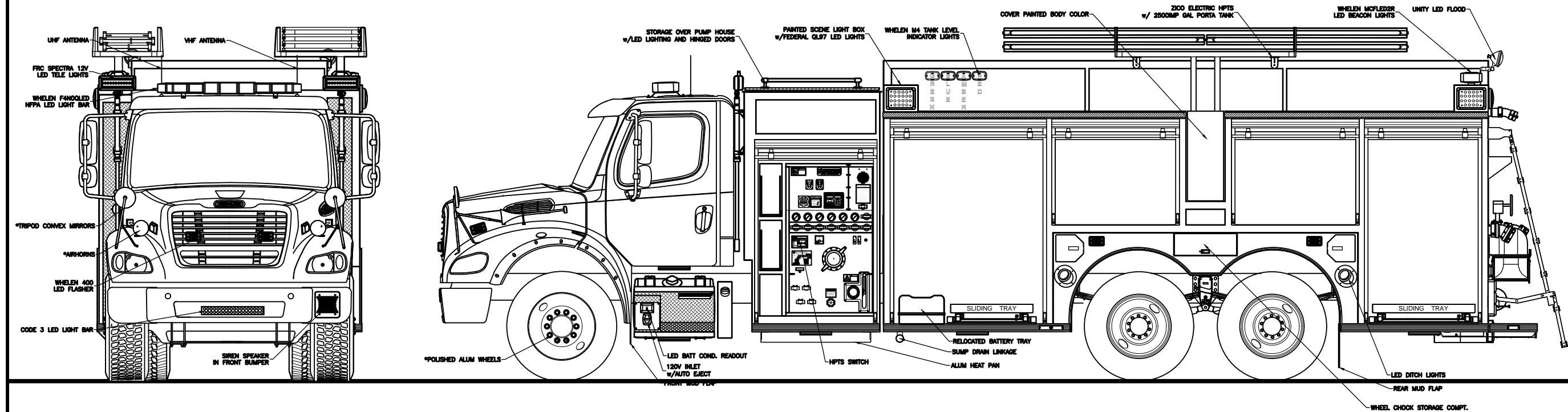
-TARP OVER HOSE BED
 -HEATER IN PUMP COMPT.
 -6 ADJUSTABLE SHELVES
 -10 DOOR PULL DOWN STRAPS
 -COMPT. FLOOR MATTING(TURTLE TILE)
 -CLASS 1 TPG/ENGINE GOVERNOR
 -CLASS 1 ELEC. SYSTEMS MANAGER
 -SUCTION SIDE R/V
 -TRIDENT AIR PRIMER
 -HEAT EXCHANGER
 -FEDERAL PA300 SIREN
 -LED TUBE COMPT. LIGHTS
 -SWING OUT TOOL BOARDS(2)

LABELS: -FLUID CAPACITY PLATE
 -PUMPING TEST PLATE
 -MAX. RIDERS SIGN(2)
 -SEAT BELT WARNING LABEL
 -HELMET WARNING LABEL
 -APPARATUS INFORMATION LABEL
 -REAR STEP WARNING LABEL

-ULS DIESEL ONLY LABEL
 -FOAM CONCENTRATE LABEL
 -FOAM INSTRUCTION S LABEL
 -DO NOT MOVE WHEN LIGHT IS ON
 -WARNING LABEL ON OPERATORS PANEL

ACCESSORIES: 2-6" X 15' LIGHT WEIGHT SUCTION HOSES
 1-6" FLOATING STRAINER
 1-RUBBER Mallet
 2-10' PIKE POLES
 1-24' 2 SECTION EXT. LADDER
 1-14' ROOF LADDER
 1-10' FOLDING ATTIC LADDER
 1-ATTIC LADDER BRACKET(ZICO)
 1-2500 IMP GAL PORTA TANK
 1-6" EXT. SUCTION BUTTERFLY VALVE
 1-PISTON INTAKE RELEIF VALVE 6" NFH X 4" STORTZ
 1-20LB DRY CHEMICAL EXT.
 1-2 GAL WATER EXT. c/w MOUNT
 4-SCBA BRACKET c/w STRAP
 2-FOLDING WHEEL CHOCK

1-HPKE6L6-45C toGHT ADAPTER
 1-1 1/2" FEMALE NPSH to GHT ADAPTER
 1-AKRON 95 GPM IN-LINE EDUCTOR
 1-LOOSE TOOL MOUNTING BRACKETS FOR
 2-FIRE AXES(4-PAC 1004)
 2-EXTENSION CORDS(2-PAC 1006-Y)
 2-PIKE POLES(2-BRACKETS & 2-RINGS)
 2-HALLIGAN TOOLS(2-PAC K5032)



CHASSIS: FREIGHTLINER M2 112 2 DOOR
 PUMP: WATEROUS CSU SINGLE STAGE 1250 IGPM
 TANK: 2500 IMP GAL
 20 IMP GAL FOAM CELL
 FOAM: HYPRO FOAMPRO 2002 Single tank

SUCTION: 1-6" LEFT(NO GATE)
 1-6" RIGHT(NO GATE)
 1-4" TANK TO PUMP
 1-2 1/2" LEFT

DISCHARGES: 1-4" RIGHT(3" PLUMBING)
 2-2 1/2" RIGHT
 1-2 1/2" REAR RS
 1-2 1/2" REAR LS(FOAM)
 2-1 1/2" SPEEDLAY c/w 2" PLUMBING(FOAM)
 1-2" TANK FILL

REV	DESCRIPTION	APVD BY	DATE
1	FIRST ISSUE		
REVISIONS			

SACKVILLE NB. FIRE DEPARTMENT
 JOB No: 19773
 DRAWN BY: E SMITH
 DATE: 2018-01-08
 METALFAB LTD.
 847 CENTRAL ST. CENTREVILLE NB. CANADA E7K 2E8

TITLE: ACCESSORIES MOUNTING

DRAWING NO. 19773-19 REV 0

* - INCLUDED WITH CHASSIS