

8

7

6

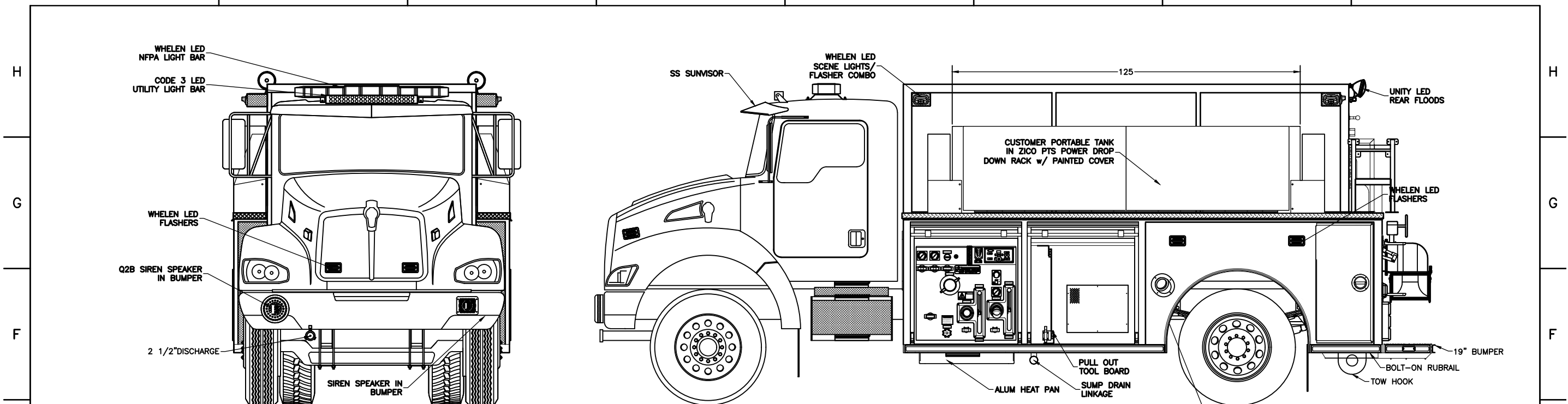
5

4

3

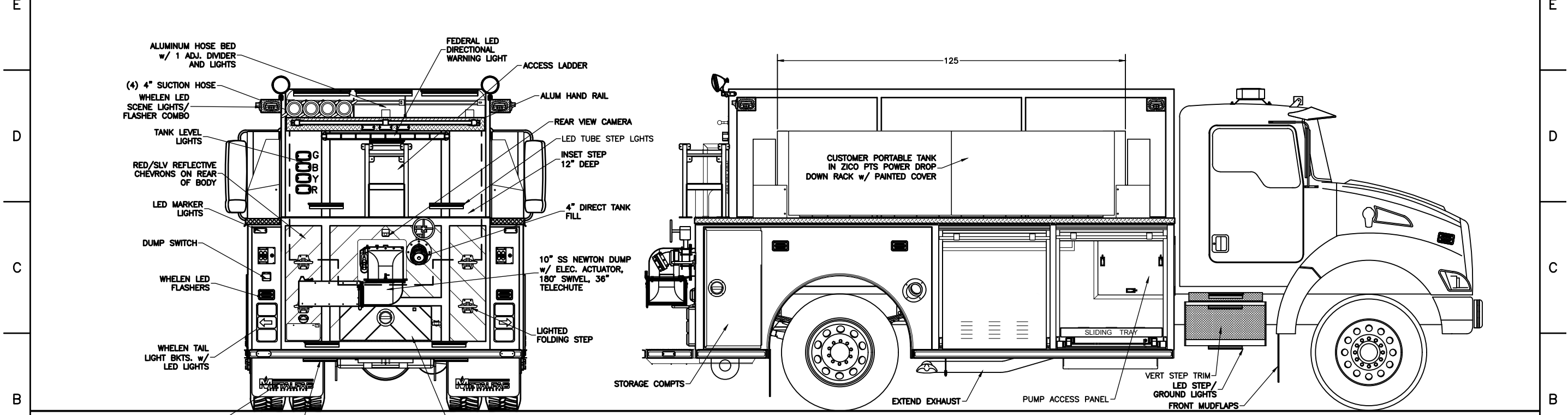
2

1



FRONT

LEFT SIDE



REAR

RIGHT SIDE

CHASSIS: KENWORTH T370/TANK: 1600 Imp. Gal. POLYPROPYLENE
 PUMP: HALE AP 420 IGPM PTO DRIVE
 PLUMBING: 3" TANK TO PUMP (4" PIPING)
 4" LS INTAKE 2 1/2" LS INTAKE
 2" TANK FILL
 2 1/2" PRECONNECT (FRONT)
 2 1/2" LEFT
 2 1/2" REAR

NOT SHOWN:
 KUSSMAUL BATT. COND.
 CLASS 1 ESM
 ENGINE COMPT. LTS
 FEDERAL 100 WATT SIREN
 LED TUBE COMPT. LIGHTS
 LED STEP LIGHTS
 REFLECTIVE STRIPING
 TARP OVER HOSEBED

CONSOLE IN CAB
 AIR HORNS UNDER HOOD
 *BATTERY BOOST TERMINALS
 *MASTER BATT. DISCONNECT
 HEAT EXCHANGER
 HEAT PAN
 *NON-REMOVABLE KEY
 TIRE PRESSURE IND

KUSSMAUL USB SOCKET
 DOOR AJAR WARNING LT.
 EQUIP. NOT STOWED LT.
 COMPT. FLOOR MATTING
 *BACKUP ALARM
 120V OUTLET IN CAB
 CLEAR COAT ON BODY

LABELS:
 FLUID CAP. PLATE
 PUMPING TEST PLATE
 MAX. RIDERS(2)
 SEAT BELT WARNING(2 DR)
 APPARATUS INFO. LABEL
 REAR STEP WARNING
 ULS DIESEL FUEL ONLY
 DO NOT MOVE WHEN LT IS ON

ACCESORIES:
 4-4"x10" LIGHT WEIGHT SUCTION HOSES
 1-4" BARREL STRAINER
 1-RUBBER MALLETT
 1-4" STORZ to NS21 FEMALE 2 1/2" REDUCER
 1-NATHAN K3 TRAIN AIR HORN

ABERCROMBIE FIRE DEPARTMENT	
JOB NO.	19880
DRAWN BY	E SMITH
DATE	01-31-18
METALFAB LTD. 847 CENTRAL ST. CENTREVILLE NB. CANADA E7K 2E8	

TITLE ACCESORIES MOUNTING	
METALFAB FIRE APPARATUS	
DRAWING NO.	19880-19
REV	0

--*INCLUDED WITH CHASSIS

8

7

6

5

4

3

2

1