

**NOT SHOWN:**

- \*VEHICLE DATA RECORDER
- \*TIRE PRESSURE INDICATORS
- \*NON REMOVABLE KEY
- \*BATTERY BOOST TERMINALS
- \*MASTER BATTERY DISCONNECT
- \*BACKUP ALARM
- \*FIRE EXT. / SAFETY KIT

- CUSTOM CONSOLE IN CAB
- LED TUBE COMPT. LIGHTS
- \*DOOR AJAR WARNING LIGHT
- \*(2) ANTENNA BASE
- \*CLASS 1 TSM
- CLASS 1 TPG
- \*FEDERAL PA4000 SIREN

- \*HEAT EXCHANGER
- (8)AMDOR PULL STRAPS
- COMPT. FLOOR MATTING
- KROWN UNDERCOAT
- REFLECTIVE STRIPING
- HEATER IN PUMP COMPT.
- MIDSHIP PUMP w/AIRSHIFT

- ELECTRIC PRIMER
- 1-SSRV
- SPEAKER ON PUMP PANEL
- EQUIP. UNSTOWED LIGHT

**LABELS:**

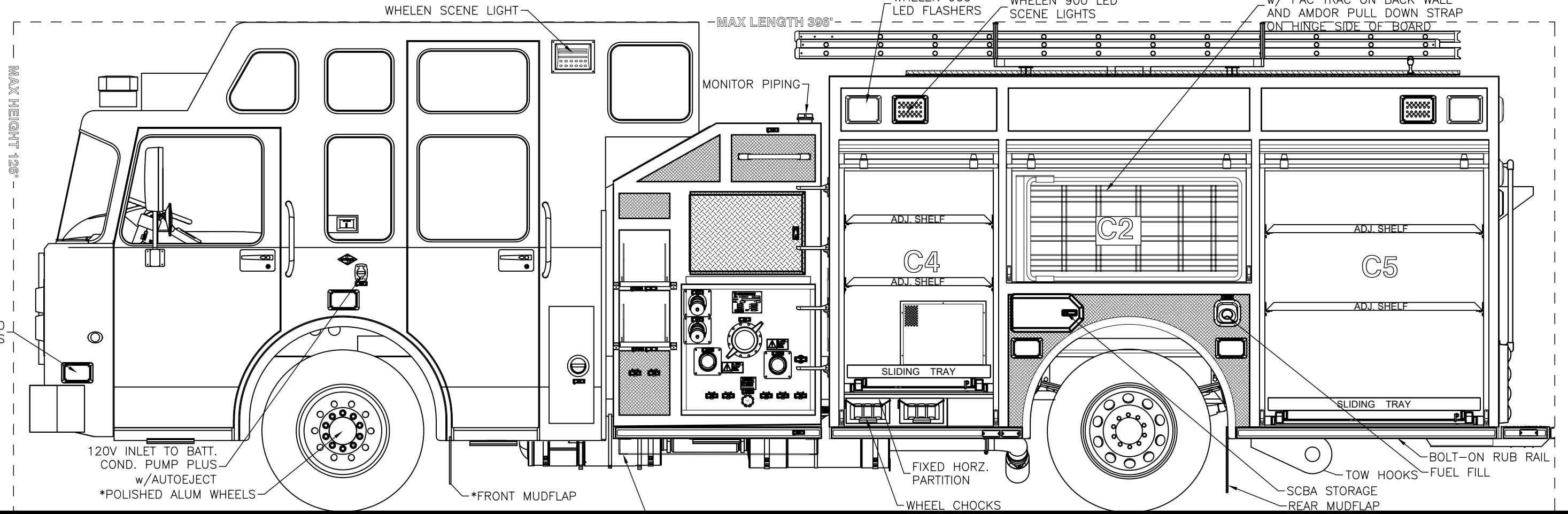
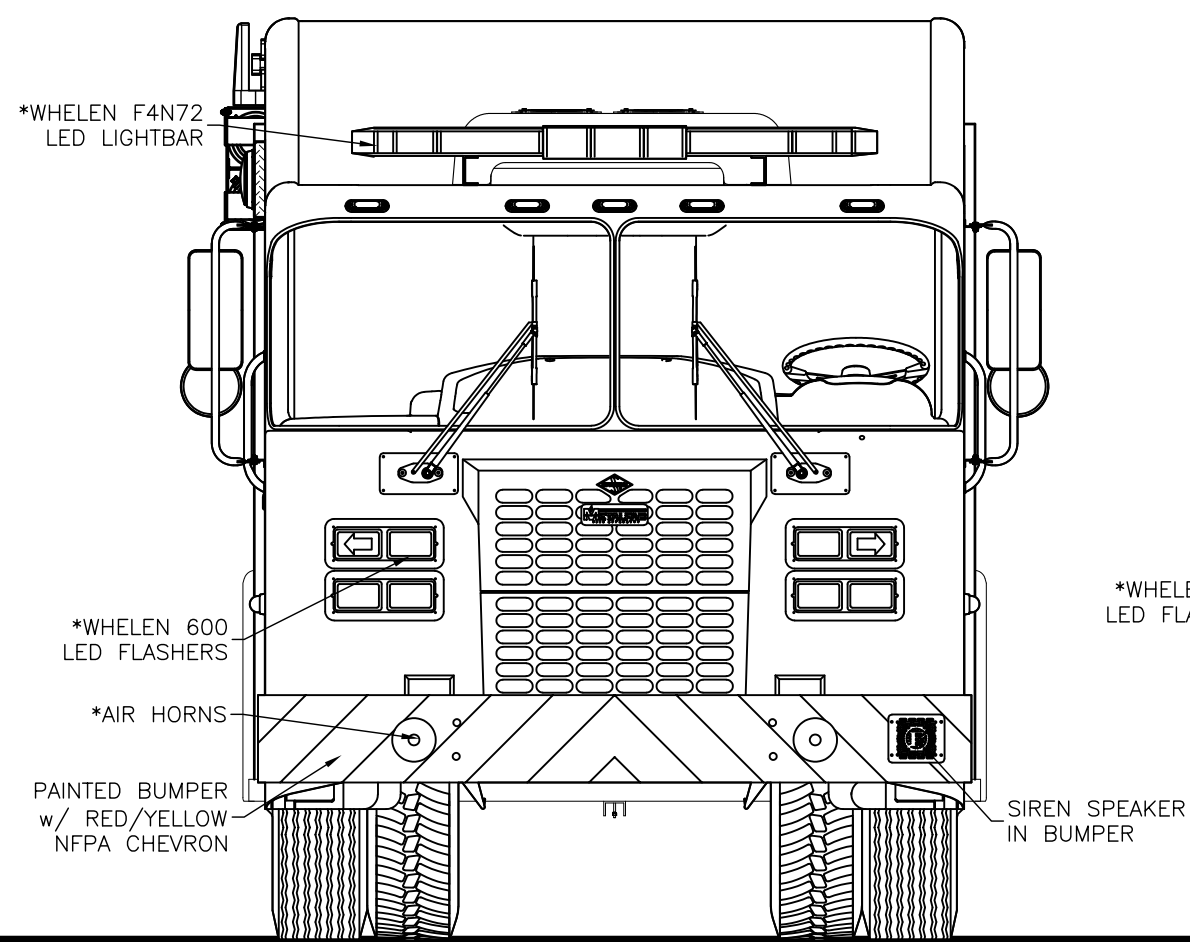
- FLUID CAPACITY PLATE
- PUMPING TEST PLATE
- APPARATUS INFO. LABEL
- MAX. RIDERS SIGN(6 PERSONS)

- SEAT BELT WARNING(4 DR. CHASSIS)
- REAR STEP WARNING LABEL
- ULS DIESEL FUEL ONLY LABEL
- FOAM CONCENTRATE LABEL

- FOAM SYSTEM INSTRUCTION
- "DO NOT MOVE WHEN LIGHT IS ON"
- PUMP OPERATOR'S WARNING LABEL
- VISIONMARK COLOR TAGS

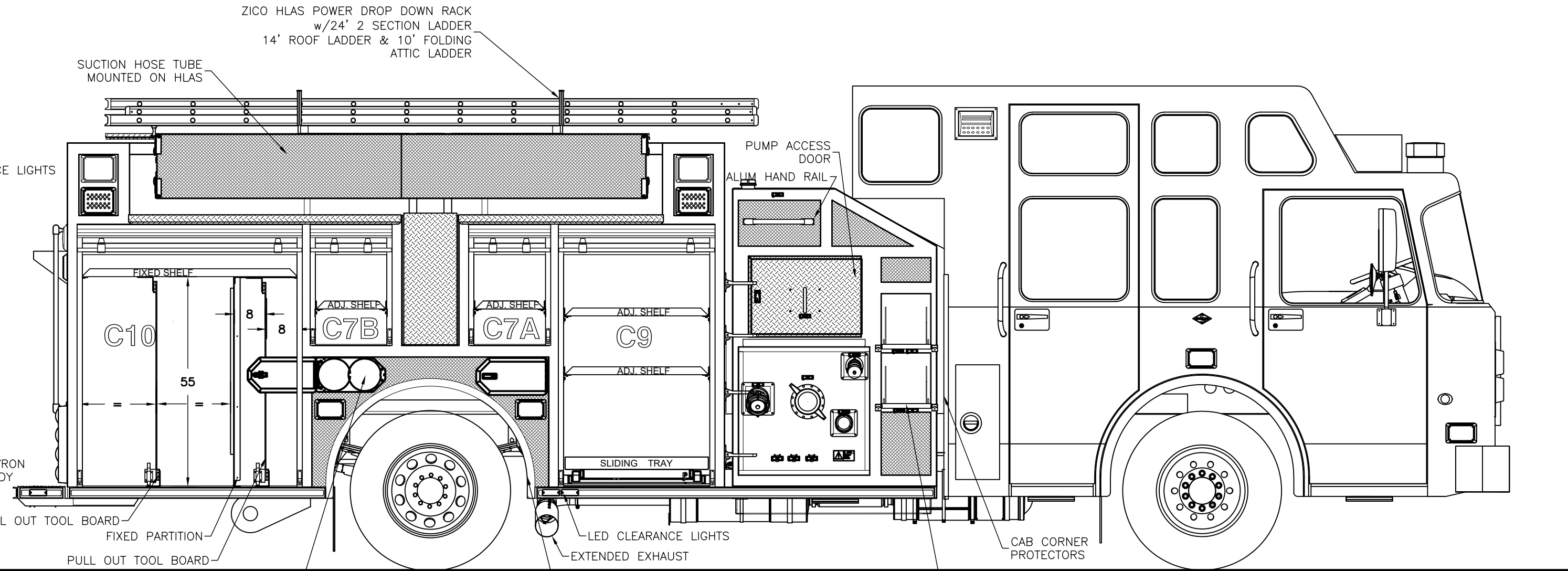
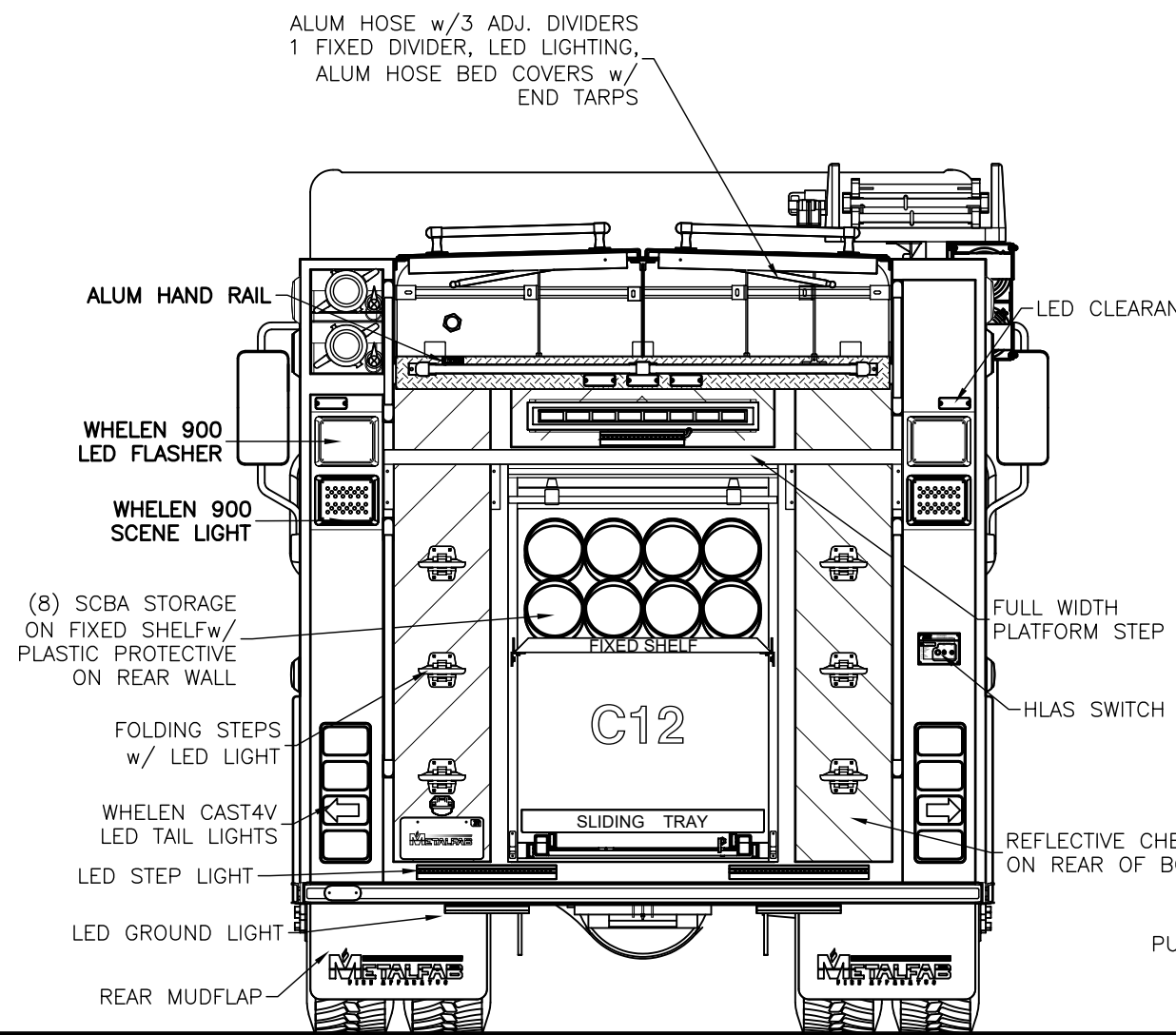
**ACCESORIES:**

- 2-6"X10' LIGHTWEIGHT SUCTION HOSE
- 1-6" BARREL STRAINER
- 1-RUBBER Mallet
- 2-10' PIKE POLES
- 1-24' 2 SECTION LADDER
- 1-14' ROOF LADDER
- 1-10' FOLDING ATTIC LADDER
- 1-PISTON INTAKE RELIEF VALVE
- 2-FOLDING WHEEL CHOCKS
- 1-AKRON MONITOR RISER



**FRONT**

**LEFT SIDE**



**REAR**

**RIGHT SIDE**

CHASSIS: SPARTAN METRO-STAR LFD 20" ROOF  
 PUMP: WATEROUS CS MID SHIP 1050 IGPM  
 TANK: 750 Imp. Gal. POLYPROPYLENE  
 1 - 20 Imp. Gal. FOAM CELL  
 FOAM: FOAM PRO 2001

SUCTION: 1 - 6" LEFT  
 1 - 6" RIGHT  
 1 - 3" TANK TO PUMP  
 2 - 2 1/2" LEFT  
 1 - 2 1/2" RIGHT

DISCHARGES: 1 - 4" RIGHT(3" PLUMBING)  
 1 - 3" MONITOR  
 2 - 2 1/2" LEFT  
 1 - 2 1/2" RIGHT  
 1 - 2" TANK FILL  
 2 - 1 1/2" SPEEDLAYS(FOAM)  
 1 - 1 1/2" REAR (HOSE BED)

CITY OF ELLIOT LAKE  
 JOB No. 19849  
 DRAWN BY E SMITH  
 DATE 03-05-2018  
 METALFAB LTD.  
 847 CENTRAL ST. CENTREVILLE  
 NB. CANADA E7K 2E8

TITLE GENERAL ARRANGEMENT  
  
 DRAWING NO. 19849-19 SHT 1 OF 2  
 REV 0

\* INCLUDED WITH CHASSIS