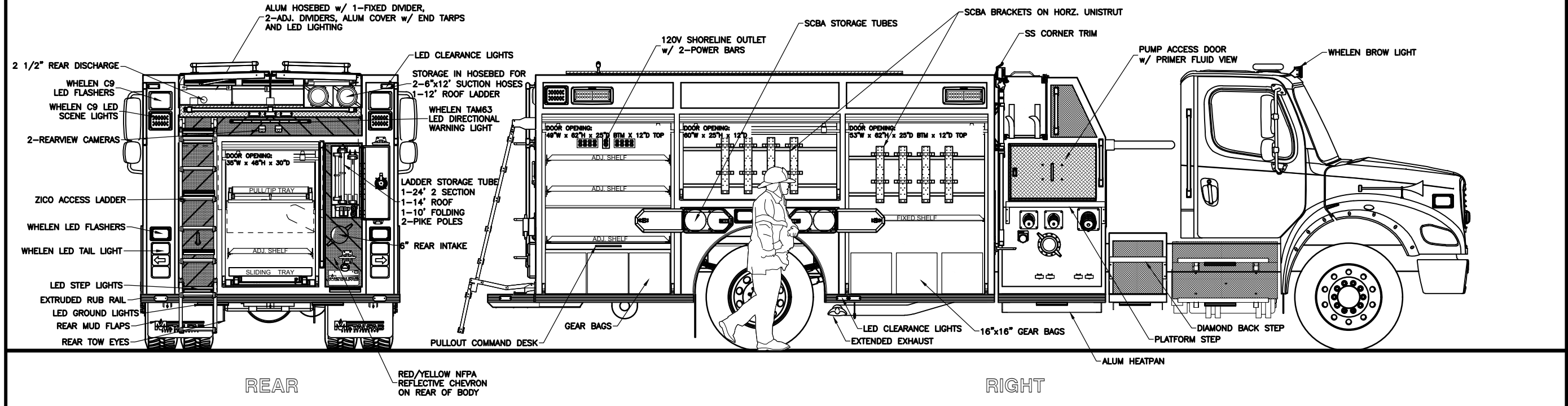
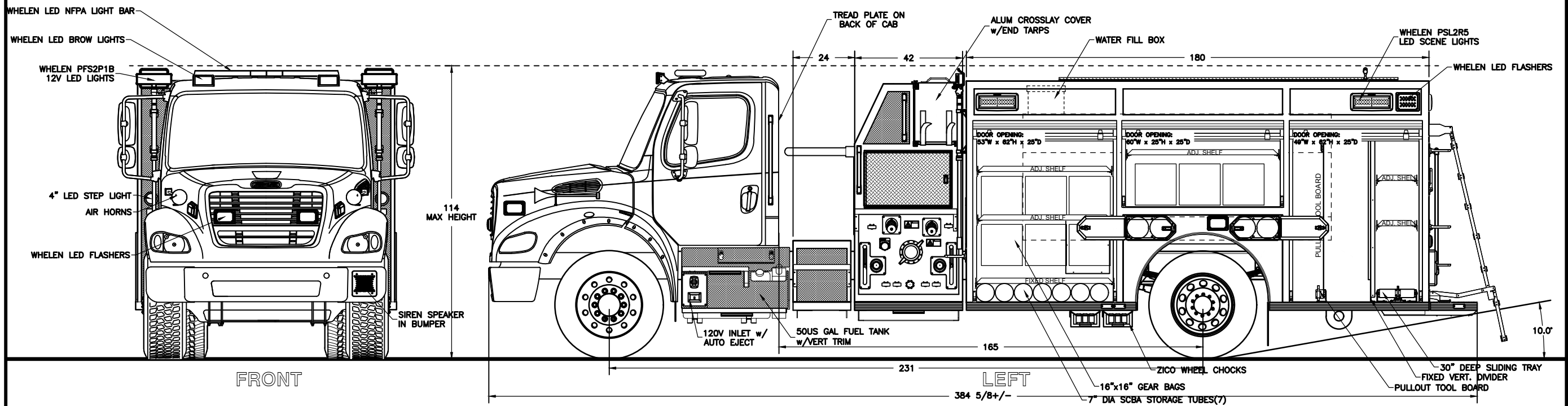


NOT SHOWN: VEHICLE DATA RECORDER
TIRE PRESSURE INDICATORS
NON-REMOVABLE KEY
CONSOLE IN CAB
BATTERY BOOST TERMINALS
MASTER BATTERY DISCONNECT
BACKUP ALARM
HEAT EXCHANGER
VINUK-ELECTRICAL SYSTEM MANAGEMENT
LED ENGINE COMPT. LIGHTING
GOOSENECK LED MAP LIGHT IN CAB
EXTENDED AIR TANK MOISTURE EJECTOR CABLES

10 TERMINAL DC POWER CENTER IN CAB
120V SHORELINE IN CAB
FRC PUMP BOSS GOVERNOR
LED TUBE COMPT. LIGHTING
DOOR AJAR WARNING LIGHT
CUSTOMER SUPPLIED RADIO(S)
COMPT FLOOR MATTING
KROWN UNDERCOAT
REFLECTIVE STRIPING
CLASS 1 CHROME TAG BEZELS
HEATER IN PUMPHOUSE

LABELS: FLUID CAPACITY PLATE
PUMPING TEST PLATE
MAX. RIDERS SIGN (2 PERSONS)
SEAT BELT WARNING LABEL (2 DR. CHASSIS)
APPARATUS INFO LABEL
REAR STEP WARNING LABEL
ULS DIESEL ONLY LABEL
FOAM CONCENTRATE LABEL
FOAM SYSTEM INSTRUCTION PLATE
DO NOT MOVE APPARATUS WHEN LIGHT IS ON LABEL
WARNING LABEL ON OPERATOR'S PANEL

ACCESSORIES: 2-6" x 12' LLIGHTWEIGHT SUCTION HOSE
1-6" BARREL STRAINER
2-8" LOW LEVEL STRAINER w/ 1 1/2" VENTURI CONNECTION
1-RUBBER Mallet
1-DUO SAFETY 24' 2 SECTION LADDER
2-DUO SAFETY 14' ROOF LADDERS
1-DUO SAFETY 10' FOLDING ATTIC LADDER
8-SCBA BRKT. w/ STRAP (COMPT MOUNT)
2-LARGE FOLDING WHEEL CHOCK
2-HORZ. BRKT. FOR FOLDING WHEEL CHOCK



CHASSIS: FREIGHTLINER M1 112 2 DOOR
PUMP: HALE Q MAX 5000 LPM
TANK: 4000L POLYPROPYLENE
1-BOL FOAM CELL
FOAM: FOAMPRO 2001

SUCTION: 1-3" TANK TO PUMP
1-6" LEFT (ELEC. GATE)
1-6" RIGHT (ELEC. GATE)
2-2 1/2" LEFT
1-6" REAR (ELEC. GATE)

DISCHARGES: 1-2" TANK FILL
2-2 1/2" LEFT
2-2 1/2" RIGHT
1-4" RIGHT
1-2 1/2" REAR(FOAM)
2-1 1/2" CROSSLAY(FOAM)

HORTON FIRE DEPARTMENT
JOB No: 20230
DRAWN BY: E SMITH
DATE: 10-31-2018
METALFAB LTD.
847 CENTRAL ST. CENTREVILLE NB. CANADA E7K 2E8

TITLE: GENERAL ARRANGMENT

DRAWING NO. FT-11027 REV 2

* - INCLUDED WITH CHASSIS