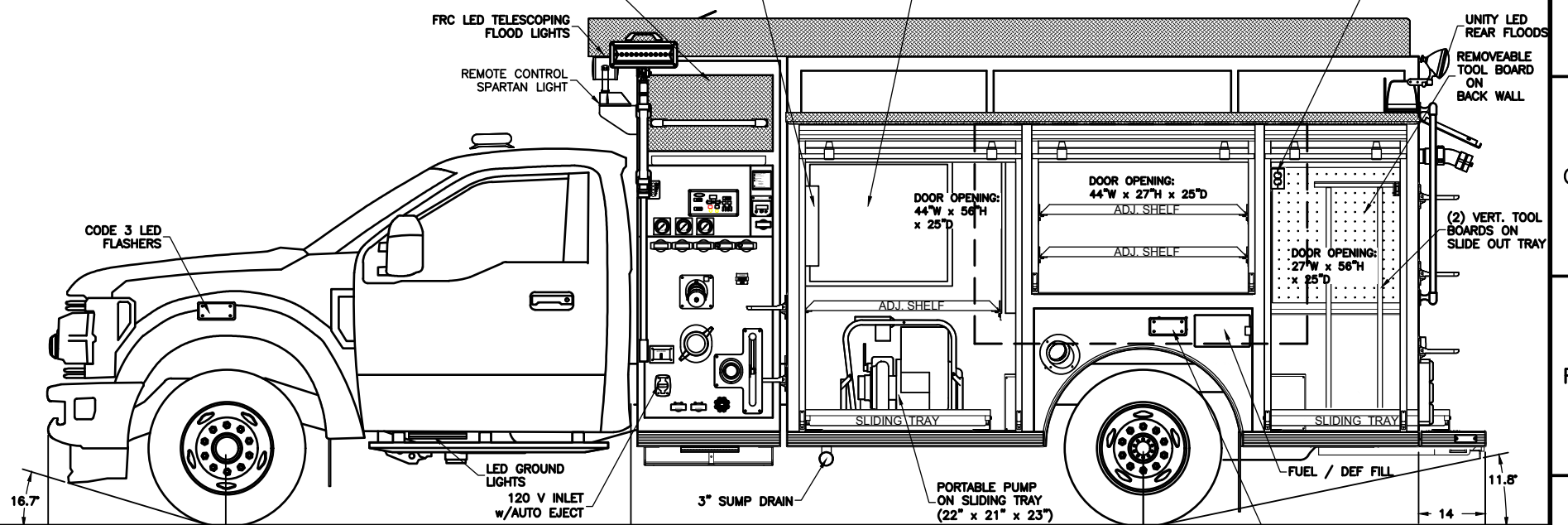
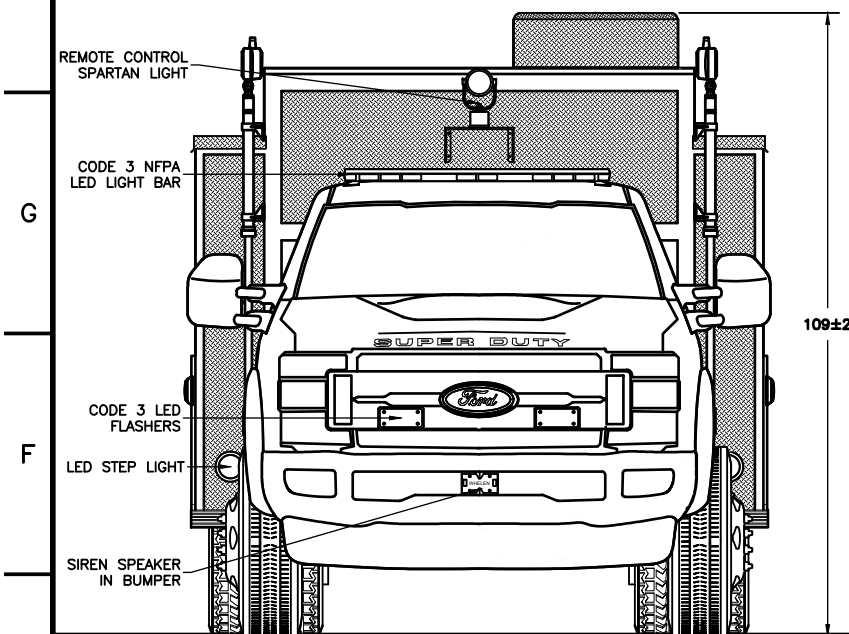
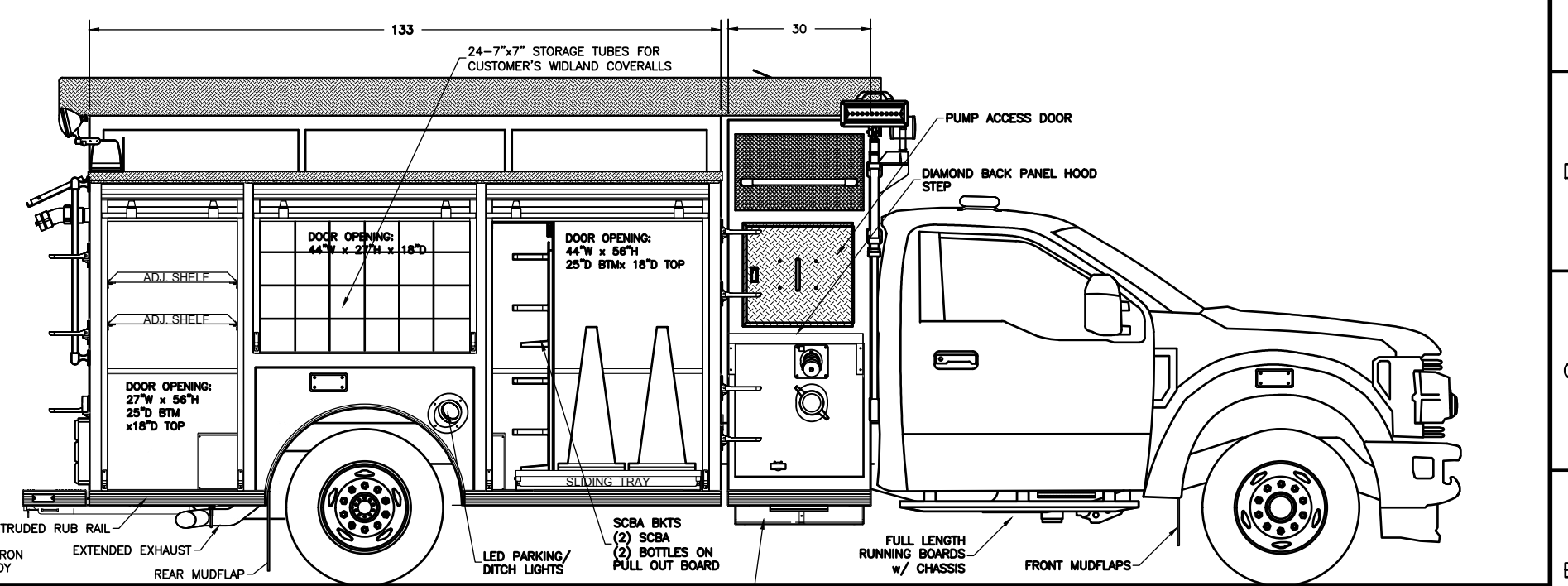
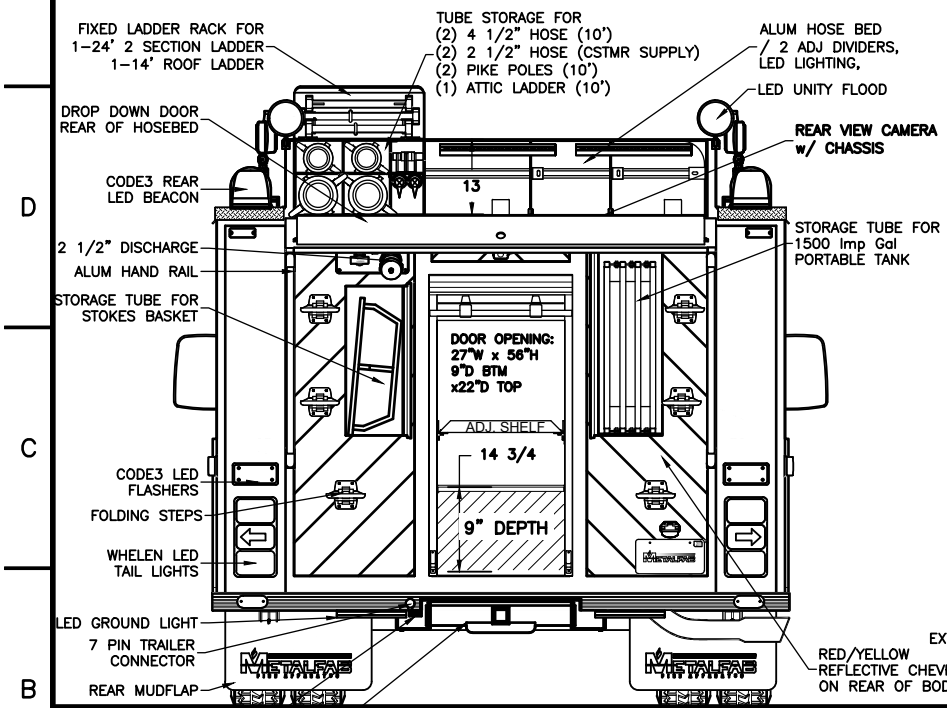


NOT SHOWN:
 CONSOLE IN CAB
 HEATER IN PUMPHOUSE
 LED TUBE COMPT. LIGHTS
 DOOR AJAR LIGHT IN CAB
 INTERLOCKING TILE COMPT., FLOOR MATTING



FRONT

LEFT SIDE



REAR

RIGHT SIDE

CHASSIS: FORD F550 4X4 (CUSTOMER SUPPLIED)
 PUMP: HALE MG 625 IGPM MID SHIP
 TANK: 250 Imp. Gal. POLYPROPYLENE
 20 IMP GAL FOAM CELL
 FOAM: FOAMPRO 1600

SUCTION: 1 - 4 1/2\"/>

DISCHARGES: 1 - 2 1/2\"/>

1	UPDATE TO SHOP ORDER REVIEW	TEC	07-23-18
2	UPDATE TO MARK UP JULY 5 / 18	TEC	07-06-18
3	UPDATE TO MARK UP JUNE 22 / 18	TEC	07-03-18
4	FIRST ISSUE		
REV	DESCRIPTION	BY	DATE

JUDIQUE FIRE DEPARTMENT JOB NO. 20394 DRAWN BY E SMITH DATE 04-16-2018 METALFAB LTD. 847 CENTRAL ST. CENTREVILLE NB. CANADA E7K 2E8		TITLE GENERAL ARRANGEMENT DRAWING NO. FT-11061 SHT 10F2 REV 1
--	--	---

*-COMES WITH CHASSIS -ALL ALUMINUM CONSTRUCTION - ALL DIMENSIONS ARE IN INCHES & APPROXIMATE