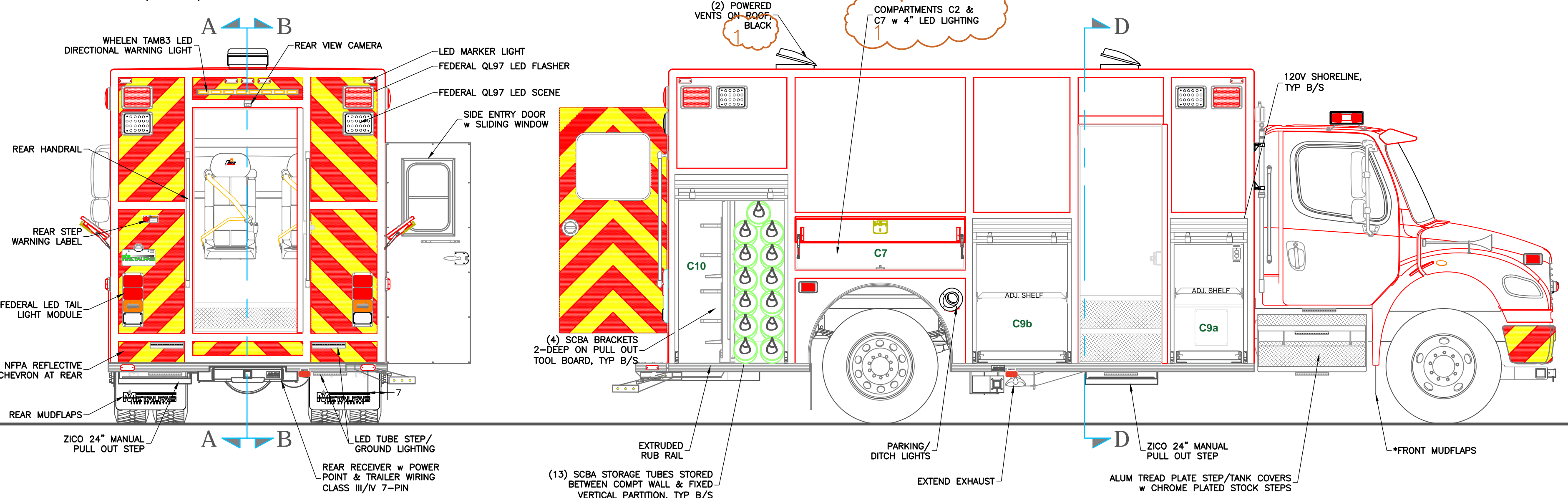


TORQUE ALL BOLT ON STEP BOLTS TO THE FOLLOWING:

- 1/4-20 HARDWARE - 50 IN-LBS (4 FT-LBS)
- 5/16-18 HARDWARE - 85 IN-LBS (7 FT-LBS)

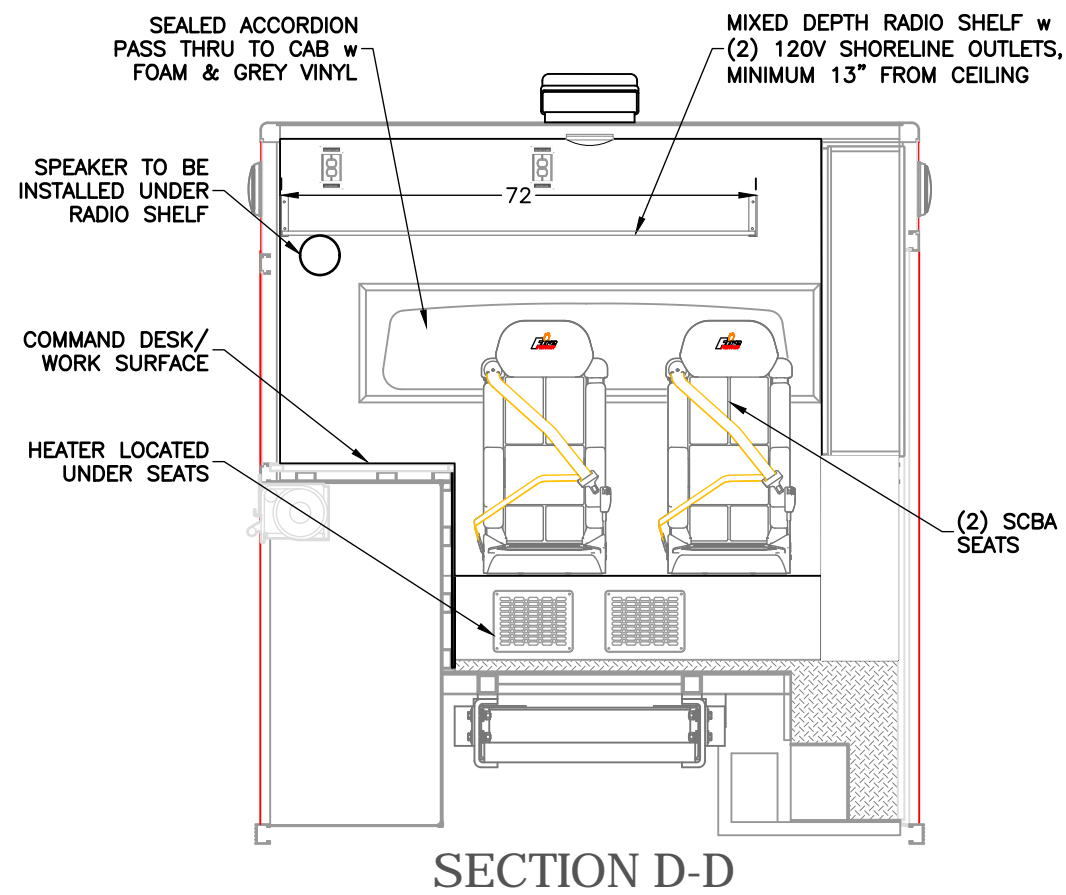


CHASSIS: FREIGHTLINER M2 106

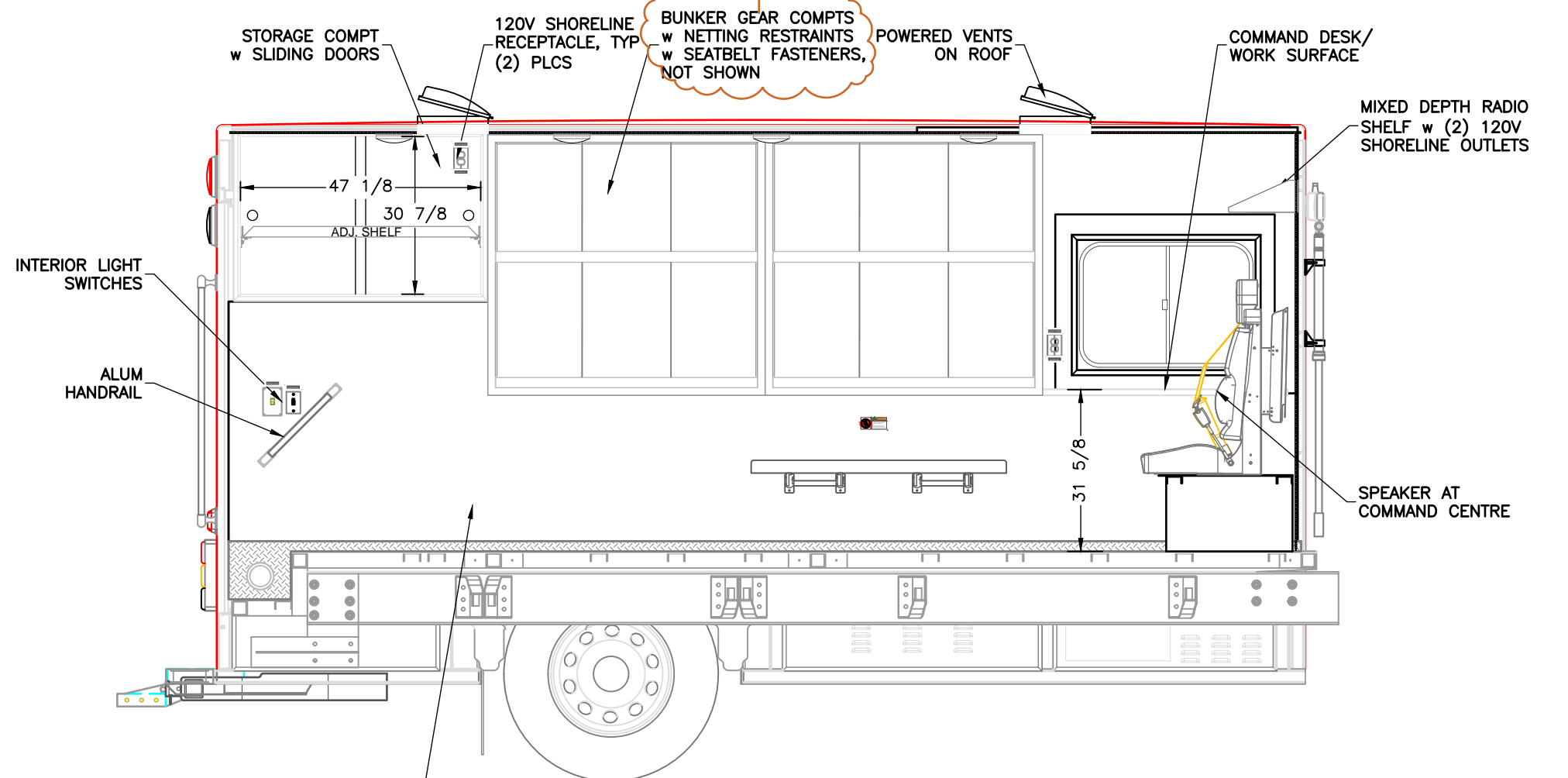
-ALL ALUMINUM CONSTRUCTION - ALL DIMENSIONS ARE IN INCHES & APPROXIMATE

REV	DESCRIPTION	BY	DATE
1	UPDATE TO MATCH CHANGE ORDER C	HDS	SEPT 8, 2025
0	FIRST ISSUE		
REV	DESCRIPTION	BY	DATE
REVISIONS			

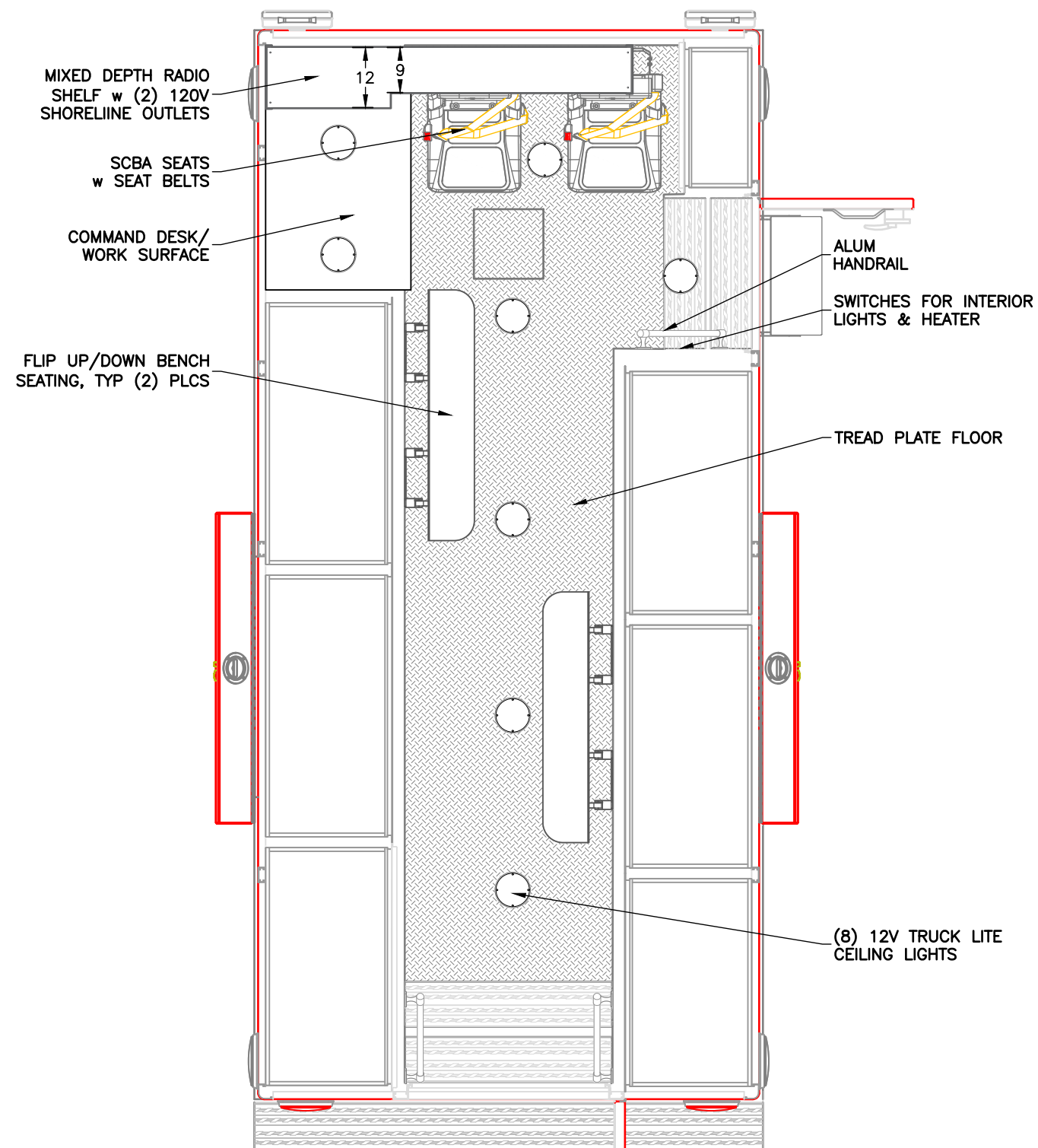
CENTREVILLE FIRE DEPARTMENT		TITLE GENERAL ARRANGEMENT	
JOB No.	23352		
DRAWN BY	HDS		
DATE	JUNE 19, 2025		
METALFAB LTD.		DRAWING NO. 23352-19 SHT 1 OF 2	
847 CENTRAL ST. CENTREVILLE NB. CANADA E7K 2E8		REV 1	



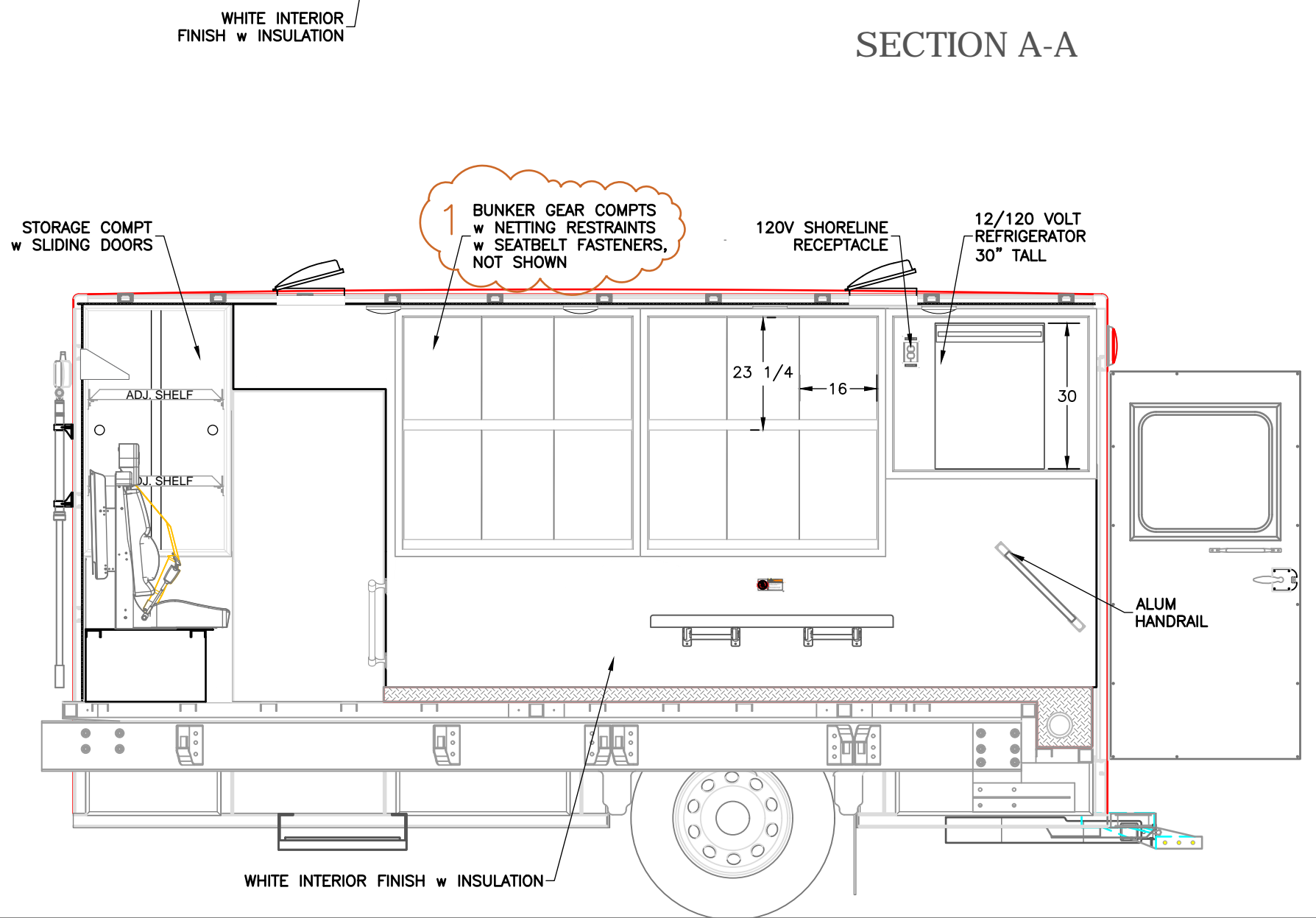
SECTION D-D



SECTION A-A



SECTION C-C



SECTION B-B

-ALL ALUMINUM CONSTRUCTION - ALL DIMENSIONS ARE IN INCHES & APPROXIMATE

0	FIRST ISSUE	BY	DATE
REV	DESCRIPTION		
REVISIONS			

CENTREVILLE FIRE DEPARTMENT		TITLE SECTIONS	
JOB No.	23352		
DRAWN BY	HDS		
DATE	JUNE 19, 2025		
METALFAB LTD. 847 CENTRAL ST. CENTREVILLE NB. CANADA E7K 2E8		DRAWING NO. 23352-19 SHT 2 OF 2	REV 1

BLK

AIR INLET
AUTO EJECT

BLK

12V - 240AMP

12V - 240AMP

12V - 240AMP

12V - 240AMP

120 VOLT 16 AMP

120 VOLT 16 AMP

120 VOLT 16 AMP

120 VOLT 16 AMP

120 VOLT 16 AMP

120 VOLT 16 AMP

120 VOLT 16 AMP

SHORELINE

SHORELINE

SHORELINE

SHORELINE

SHORELINE

SHORELINE

SHORELINE

MAX LOAD 10000 LBS
TONGUE LOAD 1000 LBS

MAX LOAD 10000 LBS
TONGUE LOAD 1000 LBS

MAX LOAD 10000 LBS
TONGUE LOAD 1000 LBS

MAX LOAD 10000 LBS
TONGUE LOAD 1000 LBS

INTERIOR LIGHTS

INTERIOR LIGHTS

HEATER

HEATER


GRN

ULS
DIESEL ONLY

BLU

DEF

0	FIRST ISSUE	---	---
REV	DESCRIPTION	BY	DATE
REVISIONS			

CENTREVILLE FIRE DEPARTMENT		TITLE		SECTIONS	
JOB No.	23352				
DRAWN BY	HDS				
DATE	JUNE 19, 2025				
METALFAB LTD. 847 CENTRAL ST. CENTREVILLE NB. CANADA E7K 2E8		DRAWING NO.	23352-19 SHT 2 OF 2	REV	0