

CHASSIS: FREIGHTLINER M2 112 TANDEM 2-DOOR
 PUMP: HALE QFLO SINGLE STAGE 1050 IGPM
 TANK: 2500 IMP GALLON POLYPROPYLENE
 FOAM: N/A

SUCTION: 1 - 6" SUCTION LEFT (MANUAL GATE)
 1 - 6" SUCTION RIGHT (NOT GATED)
 1 - 3" TANK TO PUMP
 1 - 2 1/2" LEFT

DISCHARGES: 1 - 4" RIGHT (3" VALVE)
 2 - 2 1/2" LEFT
 1 - 2 1/2" RIGHT
 1 - 2 1/2" REAR
 1 - 2 1/2" CROSSLAY
 1 - 3" TANK FILL

2 - 1 1/2" CROSSLAY
 1 - 1 1/2" TRASHLINE LEFT STEPWELL

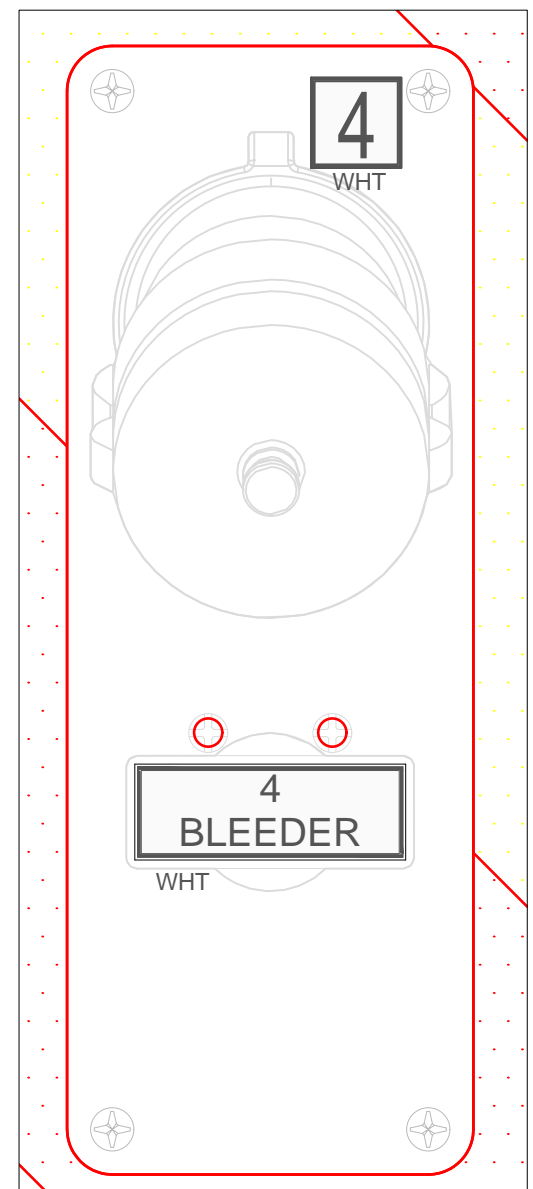
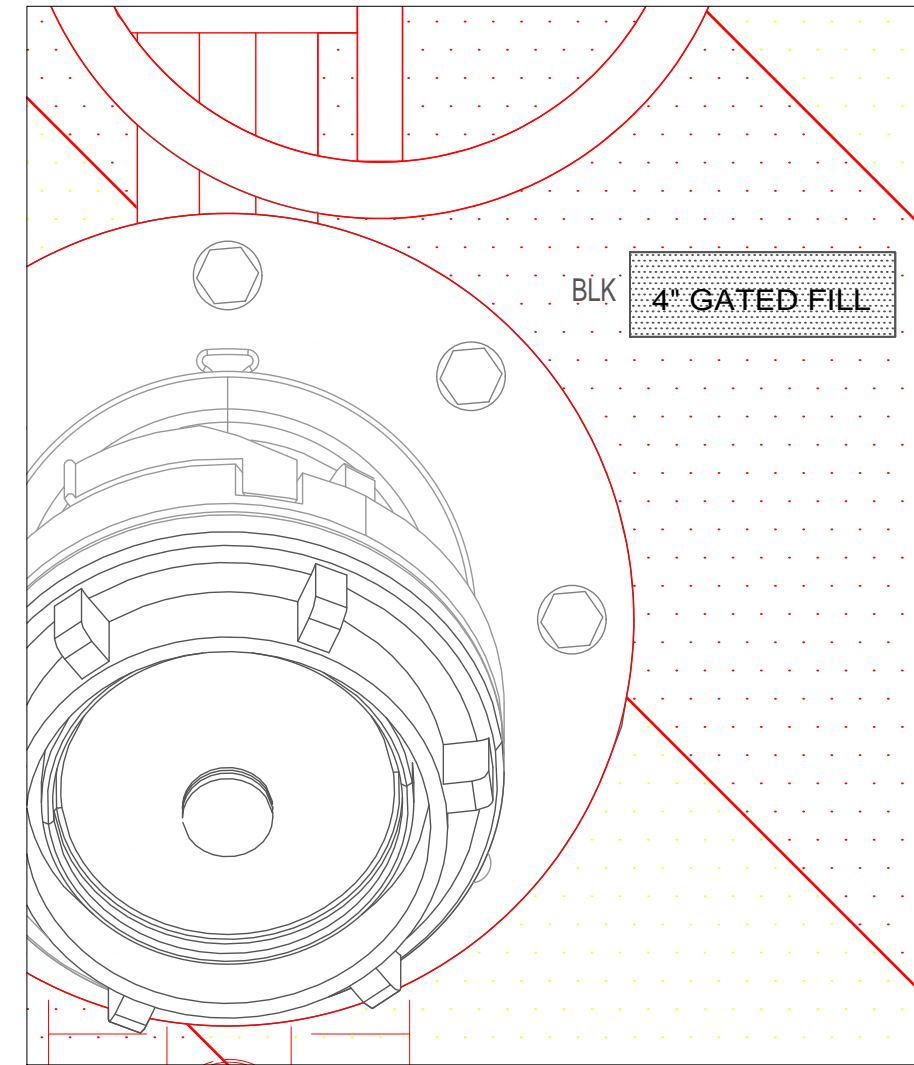
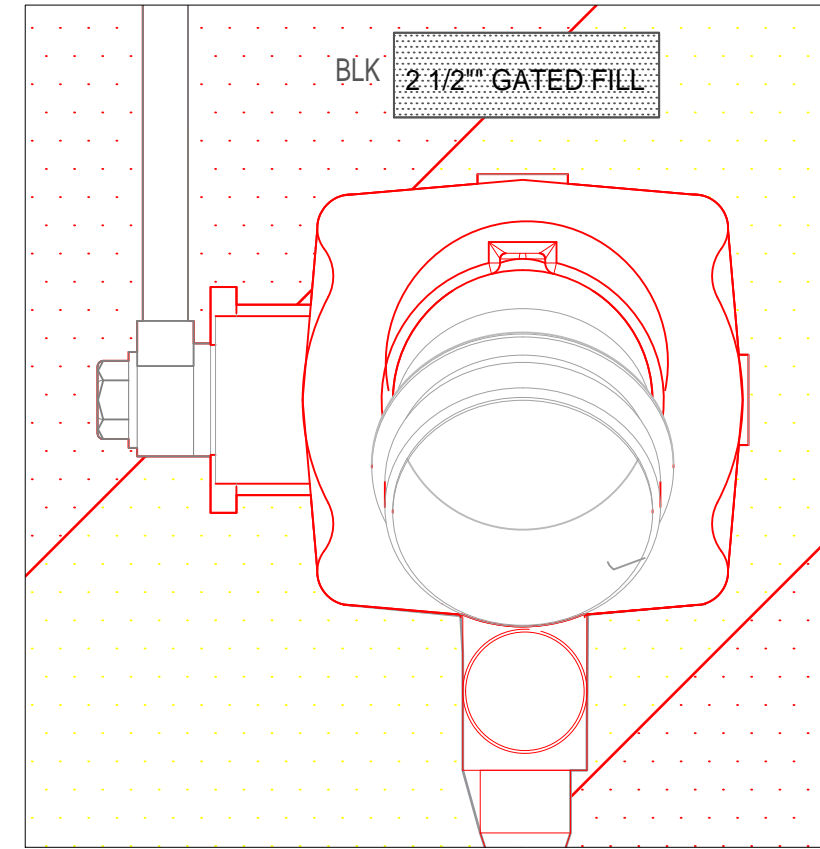
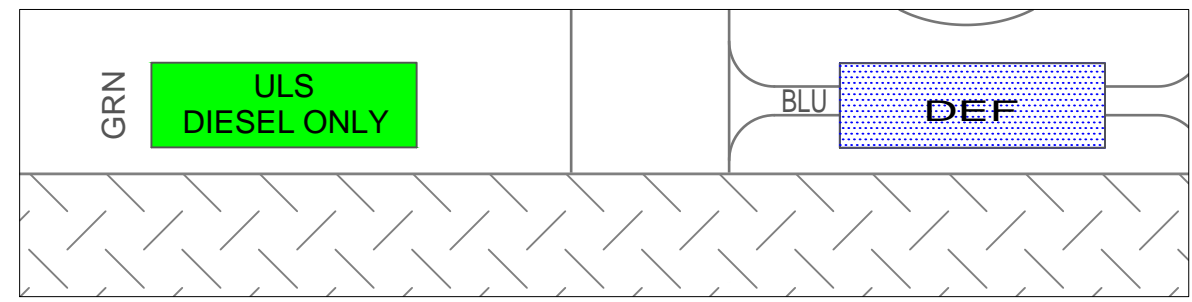
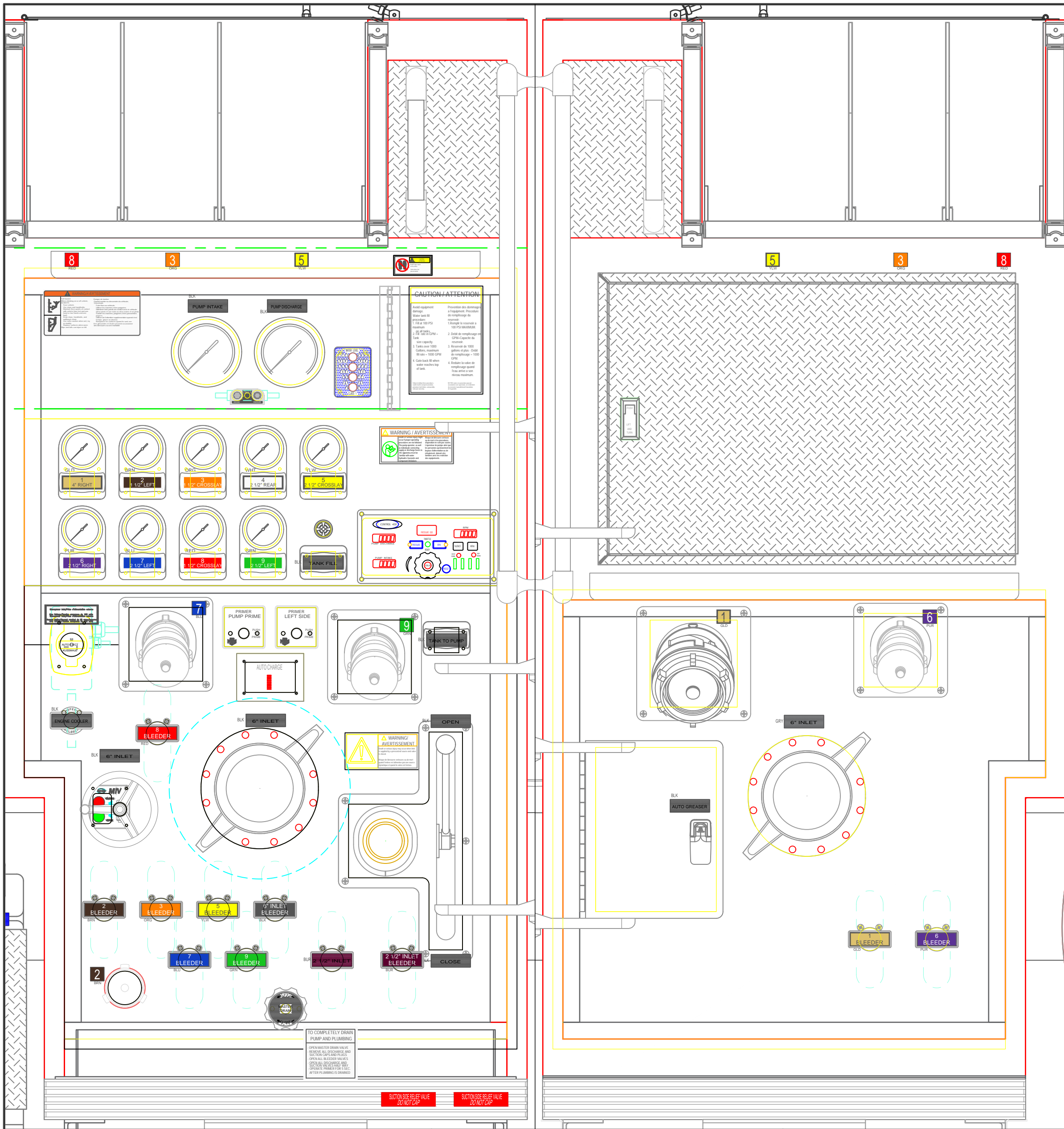
REV	DESCRIPTION	BY	DATE
2	UPDATE STAINLESS PANELS	HDS	JUN 19, 2025
1	UPDATE HANDRAIL LAYOUT ON REAR AS SHOWN	HDS	JUN 16, 2025
0	FIRST ISSUE		

NORTH FRONTENAC
 FIRE DEPARTMENT
 JOB No. 23074
 DRAWN BY HDS
 DATE MAY 8, 2025
 METALFAB LTD.
 847 CENTRAL ST. CENTREVILLE
 NB. CANADA E7K 2E8

TITLE GENERAL ARRANGEMENT

DRAWING NO. 23074-19 PG 1 OF 2

-ALL ALUMINUM CONSTRUCTION - ALL DIMENSIONS ARE IN INCHES & APPROXIMATE



-ALL ALUMINUM CONSTRUCTION - ALL DIMENSIONS ARE IN INCHES & APPROXIMATE

REV	DESCRIPTION	BY	DATE
0	FIRST ISSUE		
REVISIONS			

NORTH FRONTENAC
FIRE DEPARTMENT

JOB No. 23074

DRAWN BY HDS

DATE MAY 8, 2025

METALFAB LTD.
847 CENTRAL ST. CENTREVILLE
NB. CANADA E7K 2E8

TITLE OPERATOR'S PANELS

DRAWING NO. 23074-19 PG 2 OF 2

REV 0

